

Serie Type S/P	Serie Type MID
--------------------------	--------------------------

Pompe ad asse nudo e pompe con motore idraulico orbitale Bare shaft pumps and hydraulic orbital motor pumps



S/P MINI 3/4"

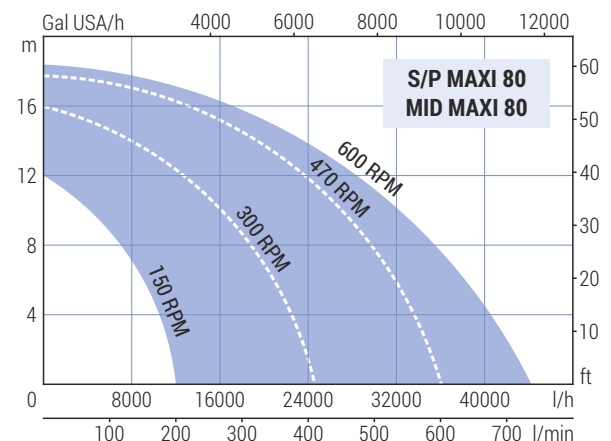
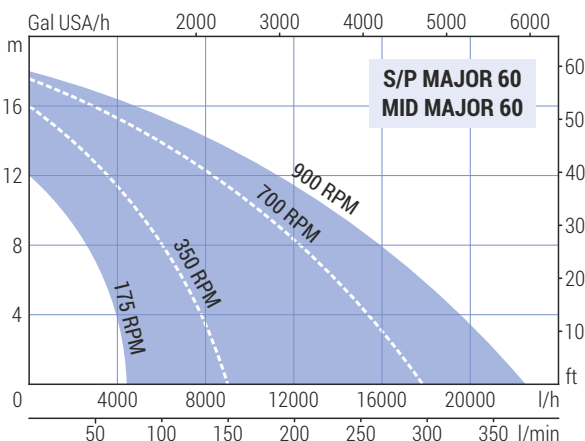
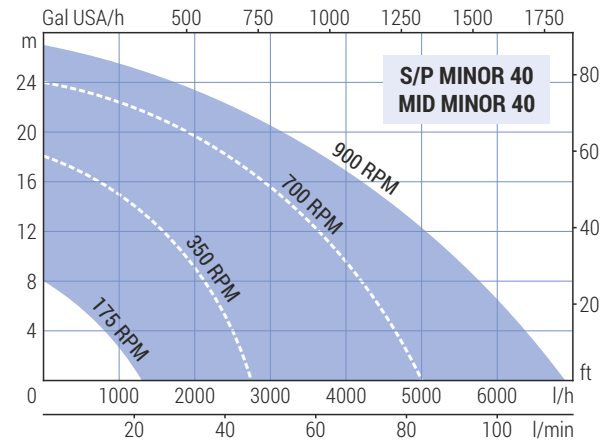
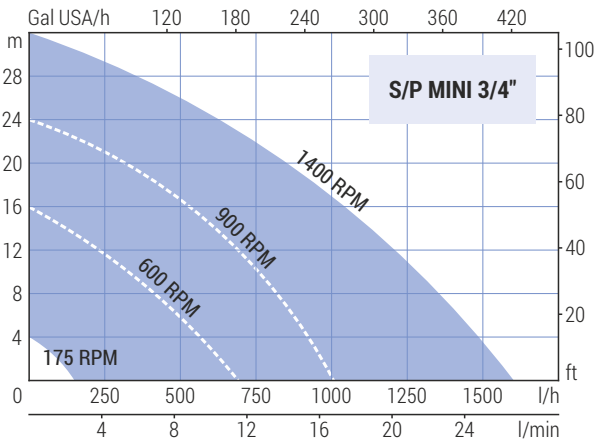


Pompe ad asse nudo (**S/P**)
Bare shaft pumps (**S/P**)

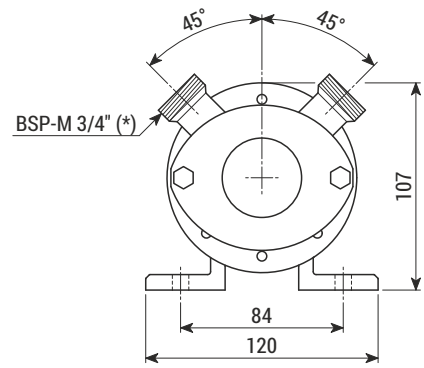
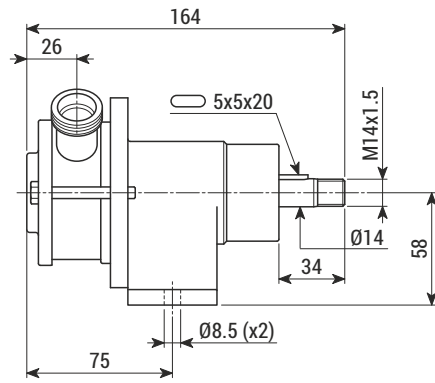


Pompe con motore idraulico orbitale (**MID**)
Hydraulic orbital motor pumps (**MID**)

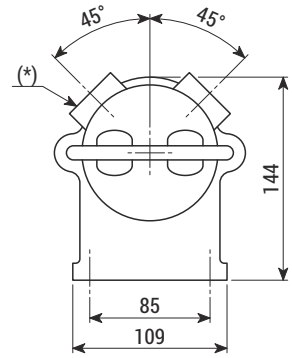
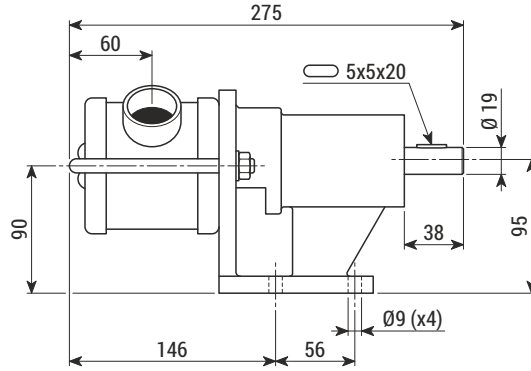
Tipo Type	Giri/min RPM	H = Prevalenza (metri) / Head (meters)											Q = Portata (litri/ora) / Capacity (liters/hour)			
		0	4	8	10	12	16	18	20	24	27	32				
S/P MINI 3/4"	min 175	150	0													
	600	700	560	390	300	150	0									
	900	1000	900	840	750	720	540	450	350	0						
	max 1400	1620	1440	1320	1230	1140	1020	900	800	600	400	0				
S/P MINOR 40 MID MINOR 40	min 175	1320	800	0												
	350	2750	2500	2100	1900	1600	800	0								
	700	5000	4700	4300	4000	3700	3000	2520	1800	0						
	max 900	6900	6200	5760	5400	5040	4200	3660	3200	1800	0					
S/P MAJOR 60 MID MAJOR 60	min 175	4320	3840	2800	1750	0										
	350	9000	7800	6000	4900	3700	0									
	700	18000	15000	12000	10400	8400	2500	0								
	max 900	22500	19560	15000	13750	11220	3000	0								
S/P MAXI 80 MID MAXI 80	min 150	12000	10000	7500	4150	0										
	300	24600	22200	18900	16000	12000	0									
	470	36000	34200	30000	27000	24000	12000	0								
	max 600	43800	41400	36000	33000	30000	16000	0								



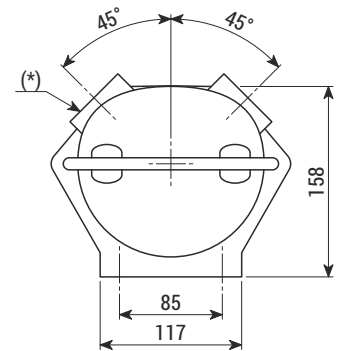
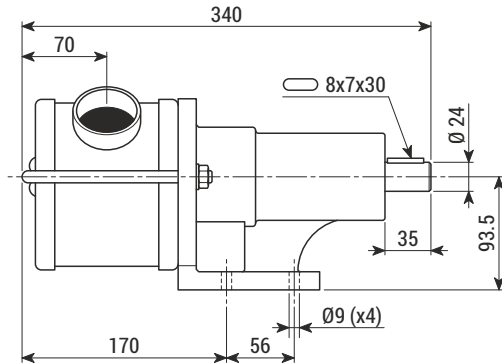
S/P MINI 3/4"
Peso-Weight 1.8 kg



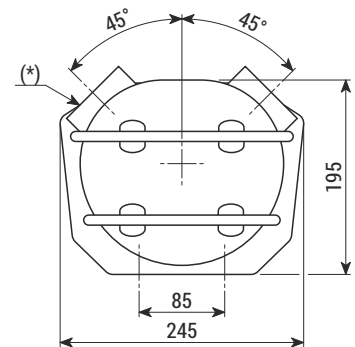
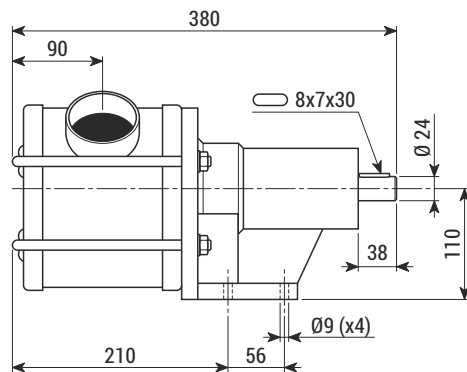
S/P MINOR 40
Peso-Weight 5.4 kg



S/P MAJOR 60
Peso-Weight 9.7 kg



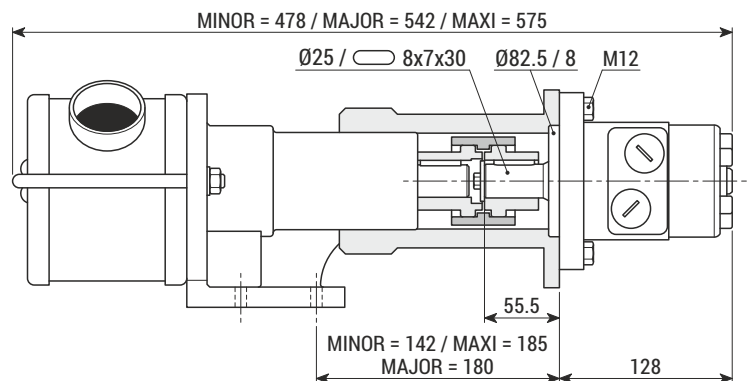
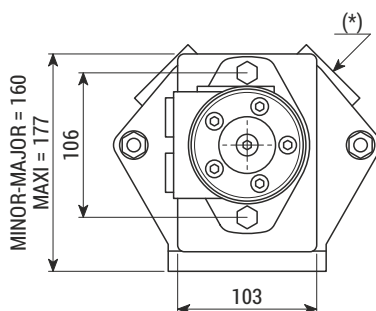
S/P MAXI 80
Peso-Weight 15.7 kg



MID MINOR 40
Peso-Weight 11.7 kg

MID MAJOR 60
Peso-Weight 16 kg

MID MAXI 80
Peso-Weight 22 kg



* raccordi disponibili p.21 / available pipe fittings p.21