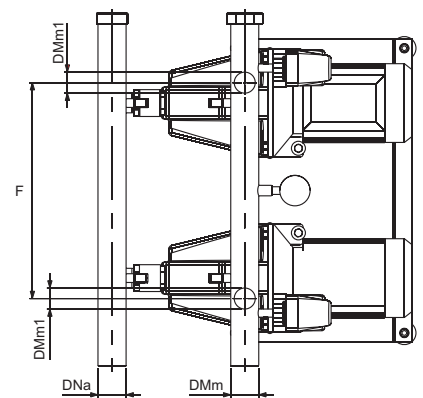
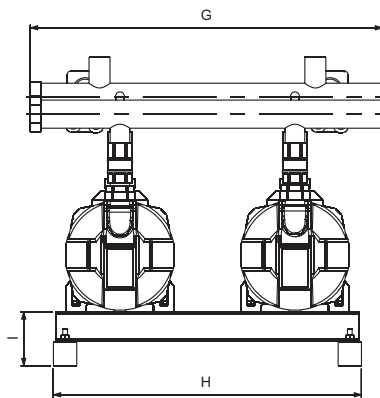
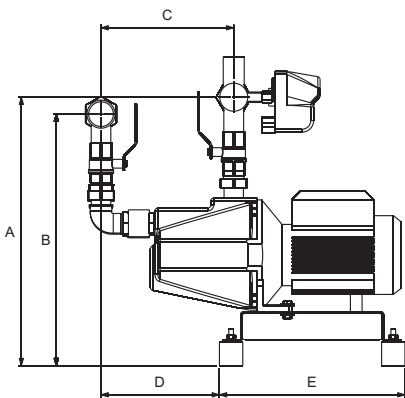


Orizzontale Horizontal	Materiale Material	Pompa Pump	kW	Alimentazione (*) Feeding (*)	Giri/min. RPM	Portata max (l/min) Capacity max (l/min)	Prevalenza max (m) Head max (m)
GDO-BJ 3	Bronzo Bronze	1	0.6	24V	2600	55 + 55	36
		2	0.6	24V	2600		36
		1	0.55	230V - 50Hz	2800	60 + 60	50
		2	0.55	230V - 50Hz	2800		50
		1	0.55	230/400V - 50Hz	2800	60 + 60	50
		2	0.55	230/400V - 50Hz	2800		50
		1	0.6	24V	2600	55 + 60	36
		2	0.55	230V - 50Hz	2800		50
		1	0.6	24V	2600	55 + 60	36
		2	0.55	230/400V - 50Hz	2800		50
GDO-BJ 4	Bronzo Bronze	1	0.75	24V	2800	70 + 70	42
		2	0.75	24V	2800		42
		1	0.75	230V - 50Hz	2800	75 + 75	42
		2	0.75	230V - 50Hz	2800		42
		1	0.75	230/400V - 50Hz	2800	75 + 75	42
		2	0.75	230/400V - 50Hz	2800		42
		1	0.75	24V	2800	70 + 75	42
		2	0.75	230V - 50Hz	2800		42
		1	0.75	24V	2800	70 + 75	42
		2	0.75	230/400V - 50Hz	2800		42
GDO-BJ 5	Bronzo Bronze	1	1.1	230V - 50Hz	2800	100 + 100	50
		2	1.1	230V - 50Hz	2800		50
		1	1.1	230/400V - 50Hz	2800	100 + 100	50
		2	1.1	230/400V - 50Hz	2800		50
GDO-BJ 6	Bronzo Bronze	1	1.5	230V - 50Hz	2800	160 + 160	48
		2	1.5	230V - 50Hz	2800		48
		1	1.5	230/400V - 50Hz	2800	160 + 160	52
		2	1.5	230/400V - 50Hz	2800		52



Modello Type	Dna (Gas-BSP)	Dnm (Gas-BSP)	Dnm 1 (Gas-BSP)	A	B	C	D	E	F	G	H	I	Peso / Weight (Kg)
GDO-BJ 3 DC - DC	1"1/2	1"1/2	1"	460	430	230	205	318	300	604	528	92	59
GDO-BJ 3 AC - AC	1"1/2	1"1/2	1"	460	430	230	205	318	300	604	528	92	55
GDO-BJ 3 AC - DC	1"1/2	1"1/2	1"	460	430	230	205	318	300	604	528	92	57
GDO-BJ 4 DC - DC	1"1/2	1"1/2	1"	460	430	230	205	318	300	604	528	92	61
GDO-BJ 4 AC - AC	1"1/2	1"1/2	1"	460	430	230	205	318	300	604	528	92	57
GDO-BJ 4 AC - DC	1"1/2	1"1/2	1"	460	430	230	205	318	300	604	528	92	59
GDO-BJ 5 AC - AC	2"	1"1/2	1"	474	445	263	220	318	300	604	528	92	76
GDO-BJ 6 AC - AC	2"	1"1/2	1"	474	445	263	220	318	300	604	528	92	79