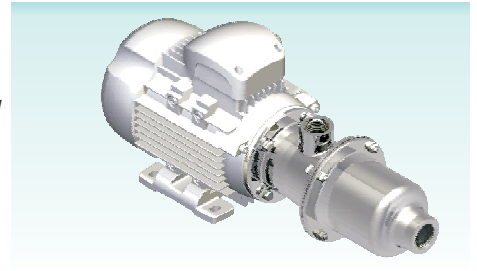


Serie MO-I: Pompe monovite con corpo inox utilizzate per il trasferimento di liquidi alimentari e chimici, liquidi densi anche con corpi in sospensione, viscosi come olio di oliva e in generale tutti gli olii alimentari.

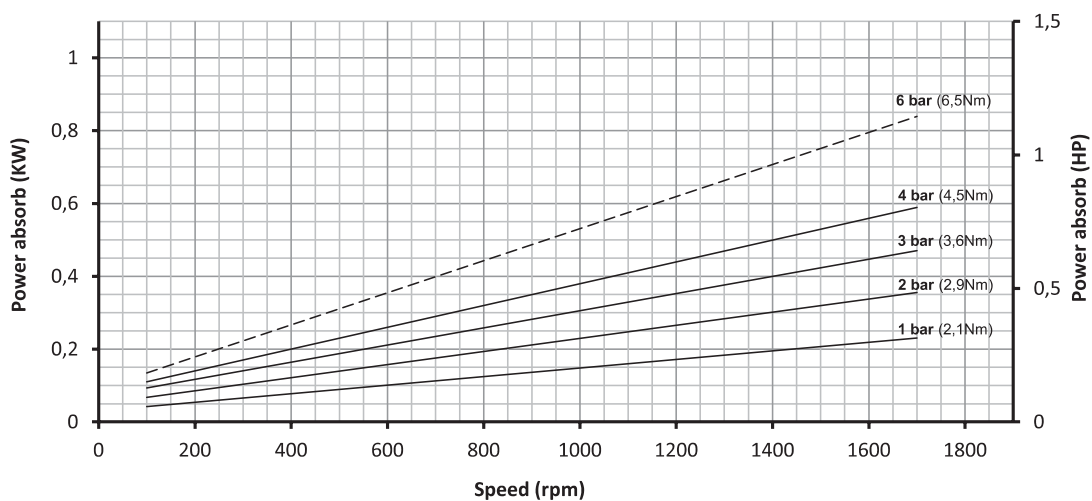
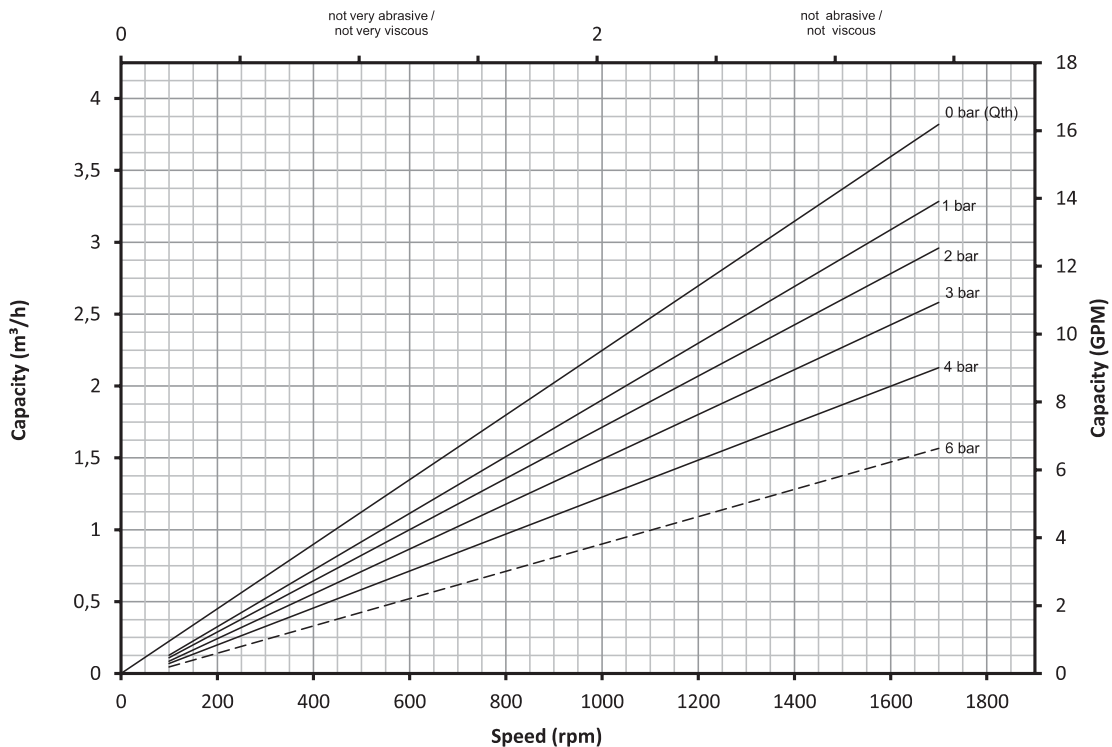
MO-I Type: Single screw pumps with stainless steel pump body for transfer of food and chemical fluids, heavy liquids also with solid parts in suspension, viscous like olive oil and in general all food oils.



MO-I 44

Vg (m/s)

| Maximum Pressure based on Abrasivity | | | |
|--------------------------------------|-----|--------|------|
| No | Low | Medium | High |
| 4 | 2 | / | / |



Starting Torque = Nm \ 0 lbs*in

Performance tolerance ±10%

Curve valide considerando acqua a 20° e viscosità 1mm/s2
Curves are valid for airless water of 20°C viscosite 1mm/s2

DIMENSIONI NON IMPEGNATIVE - APPROXIMATE DIMENSIONS - DIMENSIONS APPROXIMATIVES

MO-I 44 A.C. MOTOR KW 0,55

1400 r.p.m. 230V 50Hz - 230/400V 50 HZ
900 r.p.m. 230V 50Hz - 230/400V 50 HZ

peso: 17 kg
weight: 17 kg

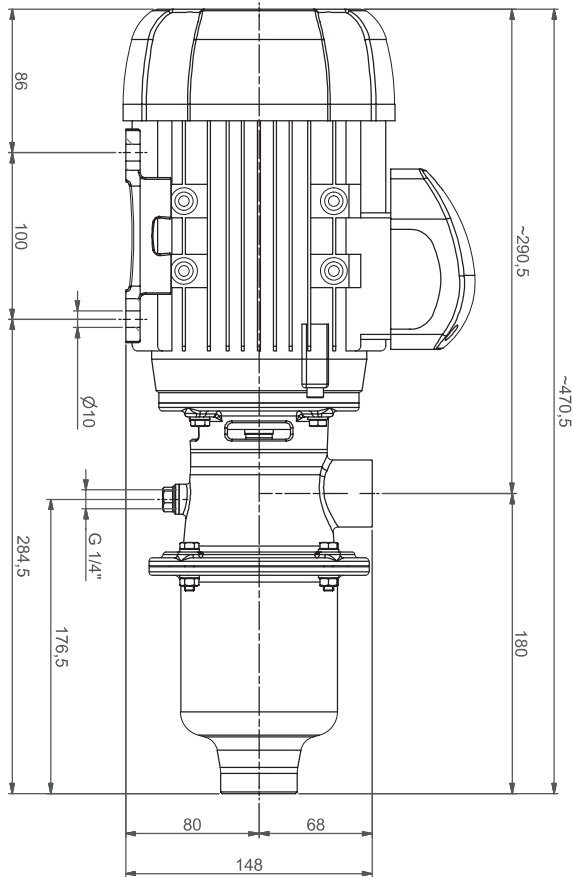
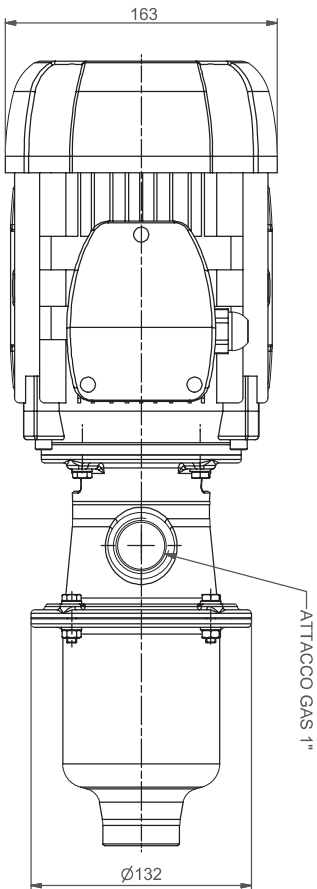
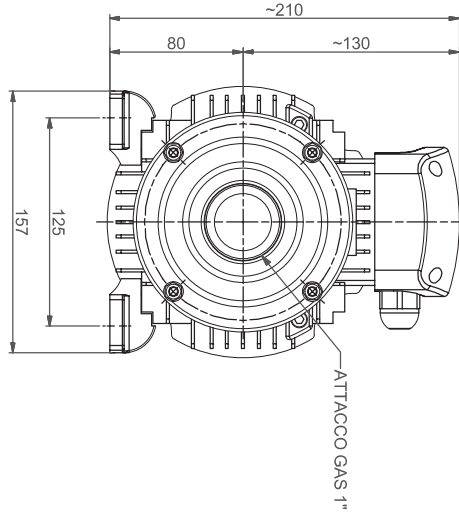
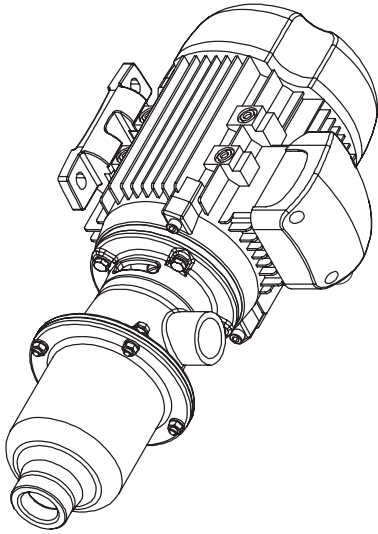
LIVERANI
FLUID TRANSFER TECHNOLOGY

Via De' Brozzi, 94 - 48022 Lugo (Ra) ITALY
Tel. ++39 0545 22379 - Fax ++39 0545 30350
E-mail: liverani@liverani.com
www.liverani.com

MO-I 44

MO-I 44 dim.

Date 17/04/2015



Design see pumps data sheet
Flow
Clockwise rot (STD)

A small diagram showing a pump head with an arrow indicating the flow direction and a curved arrow indicating clockwise rotation.