

POMPE NAUTIC CON FRIZIONE MANUALE

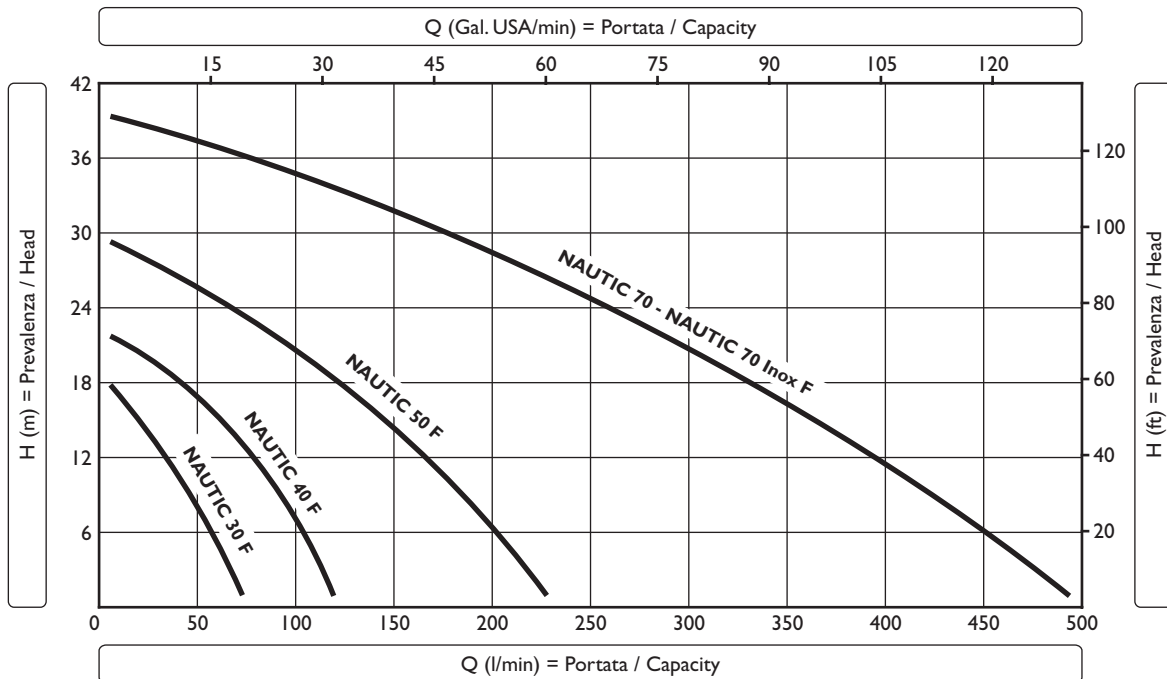
NAUTIC PUMP TYPE WITH HAND CLUTCH



NAUTIC 30-40-50 F

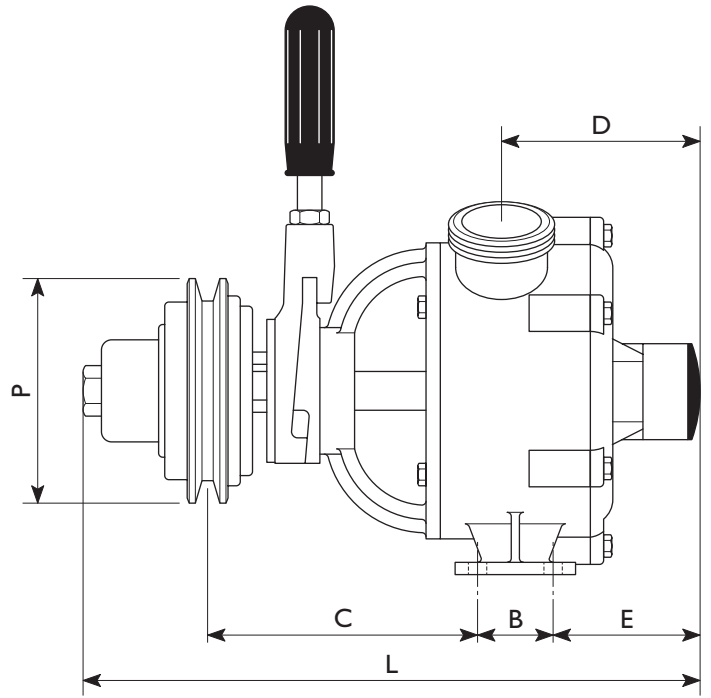
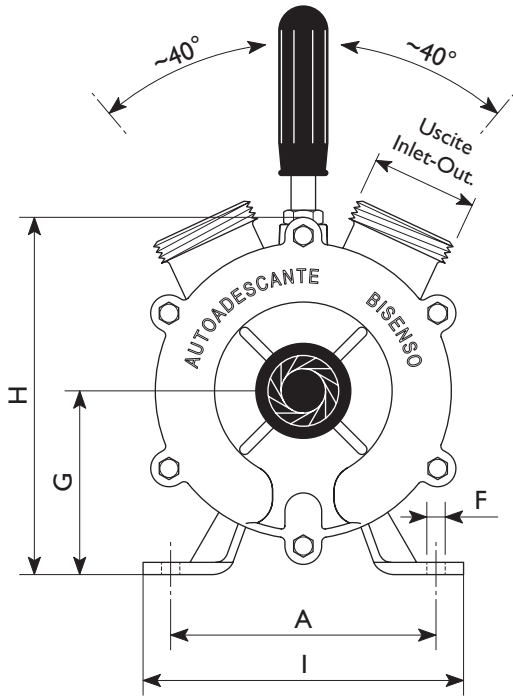


NAUTIC 70 F

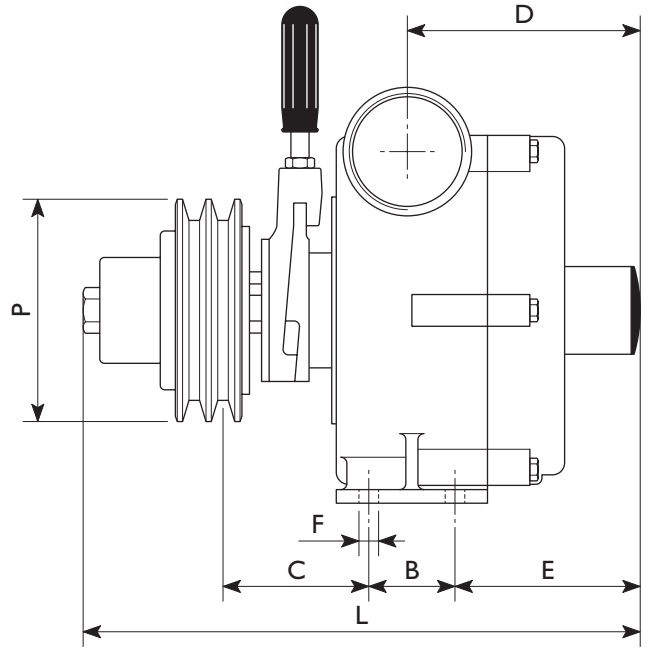
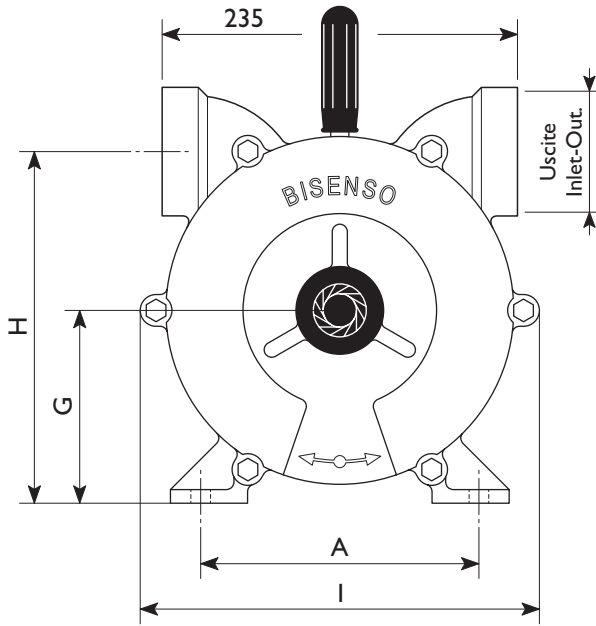


Tipo Type	Codice Code	Materiale Material	Peso Weight	Giri/min Rpm	H (m) = Prevalenza / Head - Q (l/min) = Portata / Capacity											
					0	5	10	12	15	18	22	30	40	H		
NAUTIC 30 F	51143000	Bronzo/Bronze	8,8 kg	1400	75	60	40	30	15	0						
NAUTIC 40 F	51144000	Bronzo/Bronze	10,5 kg	1400	120	110	85	80	55	45	0					
NAUTIC 50 F	51145000	Bronzo/Bronze	15,6 kg	1400	230	210	175	155	140	125	85	0				
NAUTIC 70 F	51147000	Bronzo/Bronze	28,9 kg	1400	500	460	415	400	370	330	280	165	0			
NAUTIC 70 Inox F	60147000	Inox AISI 316	28,9 kg	1400	500	460	415	400	370	330	280	165	0			

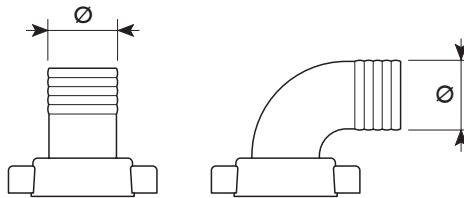
NAUTIC 30-40-50 F



NAUTIC 70 F
NAUTIC 70 Inox F



Raccordi
Pipe fittings



Tipo Type	Uscite Inlet-Outlet	Raccordi Pipe fittings	Dimensioni (mm) / Dimensions (mm)										
			A	B	C	D	E	F	G	H	I	L	P
NAUTIC 30 F	BSP-M 1"1/4	Ø30 - Ø35	130	28	124	85	70	Ø9	90	175	157	280	Ø110x1A
NAUTIC 40 F	BSP-M 1"1/2	Ø40 - Ø45	130	37	130	105	76	Ø9	90	175	157	305	Ø110x1A
NAUTIC 50 F	BSP-M 2"	Ø50	160	40	160	125	91	Ø11	120	225	188	365	Ø110x2A
NAUTIC 70 F	BSP-F 2"1/2	n.d.	184	57	97	144	110	Ø13	128	231	260	355	Ø147x2B
NAUTIC 70 Inox F	BSP-M 2"1/2 *	n.d.	184	57	97	144	110	Ø13	128	231	260	355	Ø147x2B

ISO R 52-253

* = Uscite standard BSP (Gas), altre uscite disponibili p.20 / Standard inlet-outlet BSP (Gas), different inlet-outlet are available see p.20
n.d. = Raccordi non disponibili / Pipe fittings not available