

POMPE SPECIAL CON FRIZIONE MAGNETICA

SPECIAL PUMP TYPE WITH MAGNETIC CLUTCH



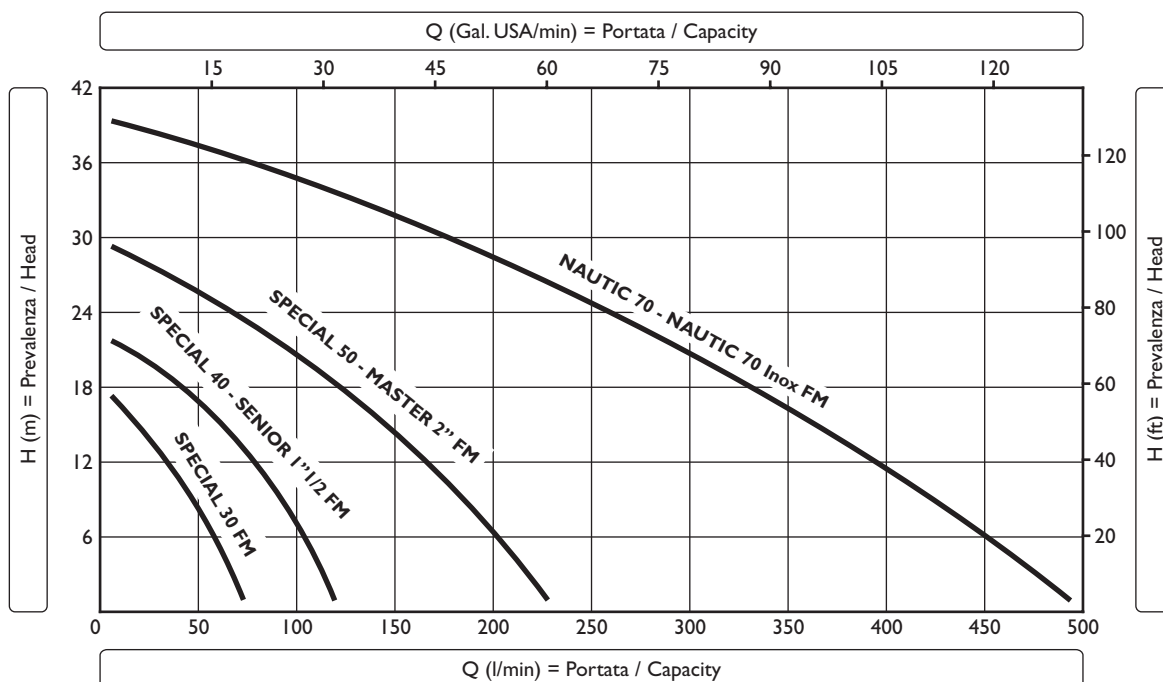
SPECIAL 30-40-50 FM



SPECIAL SENIOR 1"1/2 FM
SPECIAL MASTER 2" FM

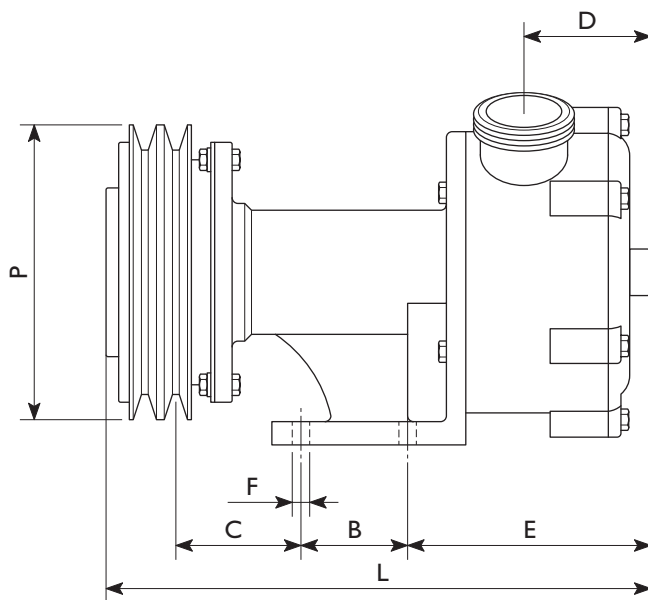
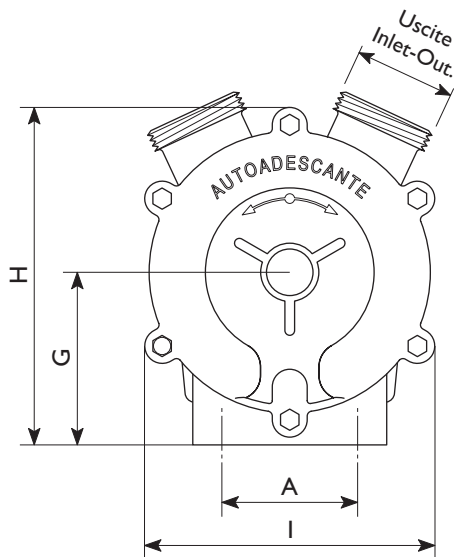


NAUTIC 70 FM

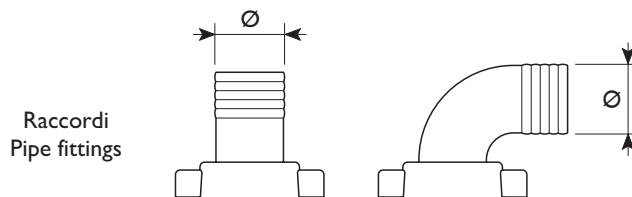
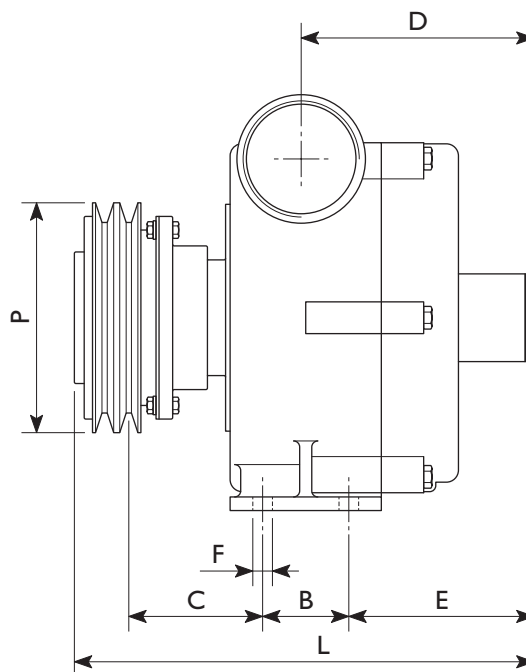
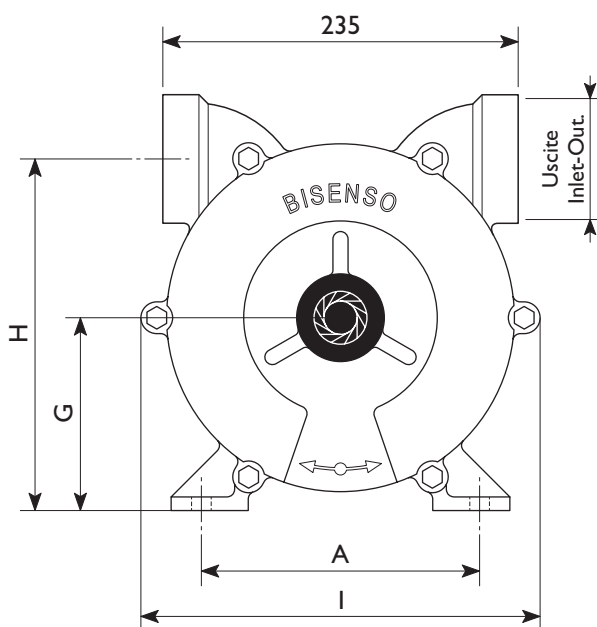


Tipo Type	Codice / Code		Materiale Material	Peso Weight	Giri/min Rpm	H (m) = Prevalenza / Head - Q (l/min) = Portata / Capacity											
	FM 12V	FM 24V				0	5	10	12	15	18	22	28	30	40	H	
SPECIAL 30 FM	51073033	51073034	Bronzo/Bronze	9,8 kg	1400	75	60	40	30	15	0						
SPECIAL 40 FM	51074033	51074034	Bronzo/Bronze	10,3 kg	1400	120	110	85	80	55	45	0					
SPECIAL 50 FM	51075033	51075034	Bronzo/Bronze	16,1 kg	1400	230	210	175	155	140	125	85	45	0			
NAUTIC 70 FM	51137033	51137034	Bronzo/Bronze	28,8 kg	1400	500	460	415	400	370	330	280	230	165	0		
SPECIAL SENIOR 1"1/2 FM	60074033	60074034	Inox AISI 316	10,4 kg	1400	120	110	85	80	55	45	0					
SPECIAL MASTER 2" FM	60075033	60075034	Inox AISI 316	16,2 kg	1400	230	210	175	155	140	125	85	45	0			
NAUTIC 70 Inox FM	60137033	60137034	Inox AISI 316	28,8 kg	1400	500	460	415	400	370	330	280	230	165	0		

SPECIAL 30-40-50 FM
SPECIAL SENIOR 1"1/2 FM
SPECIAL MASTER 2" FM



NAUTIC 70 FM



Raccordi
Pipe fittings

Tipo Type	Uscite Inlet-Outlet	Raccordi Pipe fittings	Dimensioni (mm) / Dimensions (mm)										
			A	B	C	D	E	F	G	H	I	L	P
SPECIAL 30 FM	BSP-M 1"1/4	Ø30 - Ø35	70	55	68	50	103	Ø8,5	89	175	150	265	Ø152x2A
SPECIAL 40 FM	BSP-M 1"1/2	Ø40 - Ø45	70	55	68	67	128	Ø8,5	89	175	150	288	Ø152x2A
SPECIAL 50 FM	BSP-M 2"	Ø50	70	55	94	90	160	Ø9	107	210	185	345	Ø152x2A
NAUTIC 70 FM	BSP-F 2"1/2	n.d.	184	57	89	144	110	Ø13	128	231	185	286	Ø152x2A
SPECIAL SENIOR 1"1/2 FM	BSP-M 1"1/2 *	Ø40 **	70	55	68	76	138	Ø8,5	89	175	167	298	Ø152x2A
SPECIAL MASTER 2" FM	BSP-M 2" *	Ø50 **	70	55	94	94	165	Ø9	107	210	205	350	Ø152x2A
NAUTIC 70 Inox FM	BSP-M 2"1/2	n.d.	184	57	89	144	110	Ø13	128	231	185	286	Ø152x2A

ISO R 52-253

* = Uscite standard BSP (Gas), altre uscite disponibili p.20 / Standard inlet-outlet BSP (Gas), different inlet-outlet are available see p.20
 ** = Raccordi in acciaio inox o nylon a richiesta / Stainless steel or nylon pipe fittings on request
 n.d. = Raccordi non disponibili / Pipe fittings not available