

Pompe autoadescanti volumetriche ad ingranaggi monoblocco, adatte per il trasferimento di liquidi viscosi e privi di sostanze solide in sospensione come olio lubrificante, olio combustibile e gasolio. Per viscosità superiori ai 150-200 cP richiedere motore a 900 giri/min.

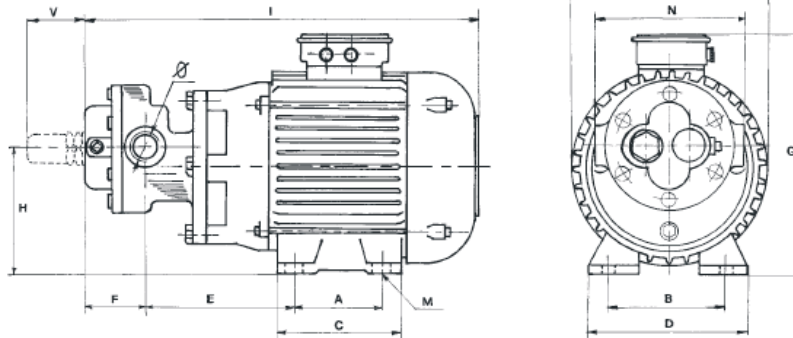
Selfpriming volumetric monobloc gear electric pumps suitable for transferring of viscous liquids but without any solid parts in suspension like lubricating oil, fuel oil and diesel oil. For viscosities higher than 150-200 cP please ask for 900RPM motor.



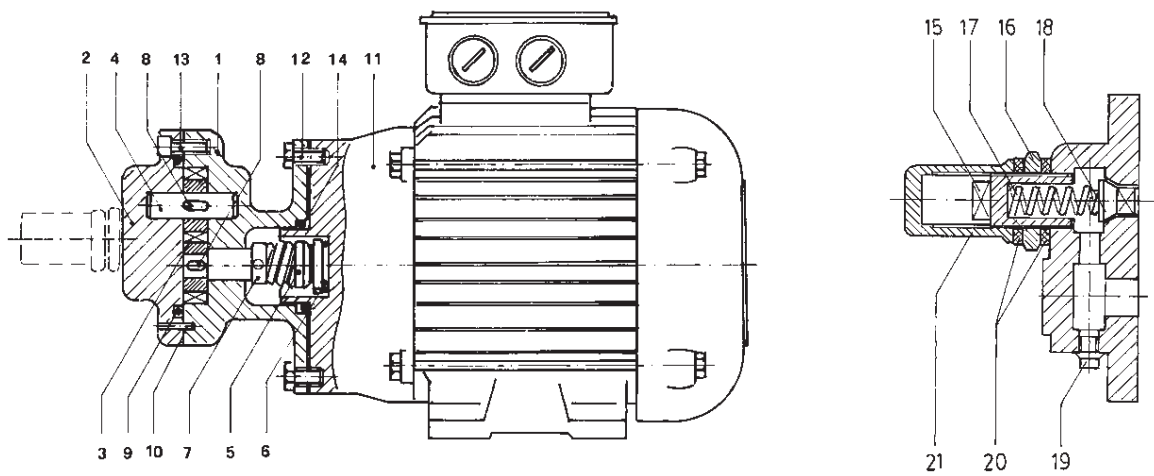
| MOTORE A 1400 GIRI/MIN - R PM 1400 . |                             |                           |      |              |                             | MOTORE A 900 GIRI/MIN. - R.P.M. 900 |      |              |                             |                           |      |
|--------------------------------------|-----------------------------|---------------------------|------|--------------|-----------------------------|-------------------------------------|------|--------------|-----------------------------|---------------------------|------|
| PREVALENZA - HEAD                    |                             |                           |      |              |                             |                                     |      |              |                             |                           |      |
| 5 BAR                                |                             |                           |      | 10 BAR       |                             |                                     |      | 10 BAR       |                             |                           |      |
| TIPO<br>TYPE                         | PORTATA<br>DELIVERY<br>lt/h | POTENZA<br>POWER<br>KW HP |      | TIPO<br>TYPE | PORTATA<br>DELIVERY<br>lt/h | POTENZA<br>POWER<br>KW HP           |      | TIPO<br>TYPE | PORTATA<br>DELIVERY<br>lt/h | POTENZA<br>POWER<br>KW HP |      |
|                                      |                             | KW                        | HP   |              |                             | KW                                  | HP   |              |                             | KW                        | HP   |
| GEAR 2                               | 120                         | 0.09                      | 0.12 | GEAR 2M      | 90                          | 0.13                                | 0.18 | -            | -                           | -                         | -    |
| GEAR 3                               | 210                         | 0.13                      | 0.18 | GEAR 3M      | 160                         | 0.18                                | 0.25 | -            | -                           | -                         | -    |
| GEAR 4                               | 240                         | 0.18                      | 0.25 | GEAR 4M      | 210                         | 0.18                                | 0.25 | -            | -                           | -                         | -    |
| GEAR 5                               | 320                         | 0.26                      | 0.35 | GEAR 5M      | 300                         | 0.26                                | 0.35 | GEAR 5/6     | 200                         | 0.18                      | 0.25 |
| GEAR 10                              | 600                         | 0.26                      | 0.35 | GEAR 10M     | 580                         | 0.37                                | 0.5  | GEAR 10/6    | 400                         | 0.26                      | 0.35 |
| GEAR 15                              | 900                         | 0.37                      | 0.5  | GEAR 15M     | 850                         | 0.55                                | 0.75 | GEAR 15/6    | 600                         | 0.37                      | 0.5  |
| GEAR 25                              | 1500                        | 0.55                      | 0.75 | GEAR 25M     | 1400                        | 0.75                                | 1    | GEAR 25/6    | 1000                        | 0.55                      | 0.75 |
| GEAR 35                              | 2100                        | 0.75                      | 1    | GEAR 35M     | 2000                        | 1.1                                 | 1.5  | GEAR 35/6    | 1400                        | 0.75                      | 1    |
| GEAR 50                              | 3000                        | 1.1                       | 1.5  | GEAR 50M     | 2900                        | 1.5                                 | 2    | GEAR 50/6    | 2000                        | 1.1                       | 1.5  |
| GEAR 60                              | 3600                        | 1.5                       | 2    | GEAR 60M     | 3400                        | 1.8                                 | 2.5  | GEAR 60/6    | 2400                        | 1.1                       | 1.5  |
| GEAR 70                              | 4200                        | 1.5                       | 2    |              |                             |                                     |      |              |                             |                           |      |

Prestazioni Teoriche con Olio 6° E  
Tolleranza +2% -5%

Teoric Performances with oil 6° E  
Tolerances +2% -5%



| TIPO<br>TYPE | POTENZA HP<br>POWER HP |                | ø      | A   | B   | C   | D   | E   | F  | G   | H   | I   | L   | M | N   | V  | Kg   |      |
|--------------|------------------------|----------------|--------|-----|-----|-----|-----|-----|----|-----|-----|-----|-----|---|-----|----|------|------|
|              | 4 POLI<br>A.C.         | 6 POLI<br>A.C. |        |     |     |     |     |     |    |     |     |     |     |   |     |    |      |      |
| GEAR 2       | 0.12                   | -              | 3/8"   | 71  | 90  | 86  | 117 | 66  | 50 | 154 | 68  | 257 | 108 | 6 | 85  | 40 | 6.2  |      |
| GEAR 3       | 0.18                   | -              |        | 80  | 100 | 100 | 120 | 70  | 53 | 164 | 74  | 270 | 121 | 7 |     |    | 6.6  |      |
| GEAR 4       | 0.25                   | -              |        | 80  | 100 | 100 | 120 | 70  | 57 | 164 | 74  | 276 | 121 | 7 |     |    | 6.9  |      |
| GEAR 5       | 0.35                   | -              | 1/2"   | 80  | 100 | 100 | 120 | 90  | 53 | 164 | 78  | 296 | 121 | 7 | 110 | 48 | 7.7  |      |
| GEAR 5/6     | -                      | 0.25           |        | 90  | 112 | 109 | 135 |     |    | 187 | 86  | 314 | 143 |   |     |    | 10.2 |      |
| GEAR 10      | 0.35                   | -              | 3/4"   | 80  | 100 | 100 | 120 | 99  | 59 | 164 | 78  | 314 | 121 | 7 | 115 | 48 | 8.5  |      |
| GEAR 10      | 0.5                    | -              |        | 90  | 112 | 109 | 135 |     |    | 187 | 86  | 334 | 143 |   |     |    | 9    | 10.4 |
| GEAR 10/6    | -                      | 0.35           |        | 90  | 112 | 109 | 135 |     |    | 187 | 86  | 334 | 143 |   |     |    | 9    | 11.2 |
| GEAR 15      | 0.5                    | -              | 3/4"   | 90  | 112 | 109 | 135 | 110 | 69 | 187 | 86  | 343 | 143 | 9 | 115 | 48 | 10.8 |      |
| GEAR 15      | 0.75                   | -              |        | 100 | 125 | 125 | 154 |     |    | 210 | 95  | 365 | 162 |   |     |    | 11.2 |      |
| GEAR 15/6    | -                      | 0.5            |        | 100 | 125 | 125 | 154 |     |    | 210 | 95  | 365 | 162 |   |     |    | 14.2 |      |
| GEAR 25      | 0.75                   | -              | 3/4"   | 90  | 112 | 109 | 135 | 120 | 71 | 187 | 86  | 365 | 132 | 9 | 117 | 48 | 12.4 |      |
| GEAR 25      | 1                      | -              |        | 100 | 125 | 125 | 154 |     |    | 210 | 95  | 376 | 132 |   |     |    | 14.4 |      |
| GEAR 25/6    | -                      | 0.75           |        | 100 | 125 | 125 | 154 |     |    | 210 | 95  | 376 | 132 |   |     |    | 15.4 |      |
| GEAR 35      | 1                      | -              | 1"     | 100 | 125 | 125 | 154 | 132 | 75 | 210 | 104 | 395 | 162 | 9 | 134 | 48 | 16.5 |      |
| GEAR 35      | 1.5                    | -              |        | 125 | 140 | 150 | 170 |     |    | 230 | 112 | 441 | 182 |   |     |    | 17.5 |      |
| GEAR 35/6    | -                      | 1              |        | 100 | 125 | 125 | 154 |     |    | 210 | 104 | 441 | 162 |   |     |    | 20.1 |      |
| GEAR 50      | 1.5                    | -              | 1"     | 100 | 125 | 125 | 154 | 142 | 85 | 210 | 104 | 441 | 162 | 9 | 134 | 48 | 17.5 |      |
| GEAR 50      | 2                      | -              |        | 125 | 140 | 150 | 170 |     |    | 230 | 112 | 452 | 182 |   |     |    | 21.5 |      |
| GEAR 50/6    | -                      | 1.5            |        | 125 | 140 | 150 | 170 |     |    | 230 | 112 | 452 | 182 |   |     |    | 21.7 |      |
| GEAR 60      | 2                      | -              | 1 1/4" | 125 | 140 | 150 | 170 | 142 | 85 | 230 | 112 | 452 | 182 | 9 | 122 | 48 | 22   |      |
| GEAR 60      | 2.5                    | -              |        | 125 | 140 | 150 | 170 |     |    | 230 | 112 | 452 | 182 |   |     |    | 23.5 |      |
| GEAR 60/6    | -                      | 1.5            |        | 125 | 140 | 150 | 170 |     |    | 230 | 112 | 452 | 182 |   |     |    | 24   |      |



| POS. | DESCRIZIONE         | DESCRIPTION           |
|------|---------------------|-----------------------|
| 1    | Corpo pompa         | Pump Body             |
| 2    | Coperchio           | Cover                 |
| 3    | Ingranaggi          | Gears                 |
| 4    | Albero secondario   | Driven shaft          |
| 5    | Tenuta meccanica    | Mechanical seal       |
| 6    | Controfaccia tenuta | Seal matching surface |
| 7    | Ghiera              | Ring nut              |
| 8    | Chiavetta           | Key                   |
| 9    | O-ring              | O-ring                |
| 10   | Spina               | Plug                  |
| 11   | Motore elettrico    | Electric motor        |
| 12   | Viti TE             | Screw                 |
| 13   | Viti TC             | Socket head screw     |
| 14   | O-ring              | O-ring                |
| 15   | Bussola             | Bush                  |
| 16   | Controdado          | Lock nut              |
| 17   | Molla               | Spring                |
| 18   | Fungo               | Plug                  |
| 19   | Tappo               | Plug                  |
| 20   | Rondella            | Grommet               |
| 21   | Cappello By-pass    | By-pass cover         |