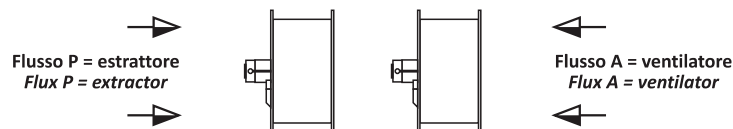


Aspirazione e ventilazione nei locali chiusi (WC, cucine, sala macchine e altri compartimenti). In sede di ordine specificare flusso A (ventilatore) o flusso P (estrattore). **Novità! A richiesta disponibili con ventola bidirezionale per flusso A+P**

*Air suction and ventilation in closed rooms (toilets, kitchen, engine room and other compartments). Flux to specify on order: A flux (ventilator) P flux (extractor). **New! On request available with bidirectional special fan for flux A+P***



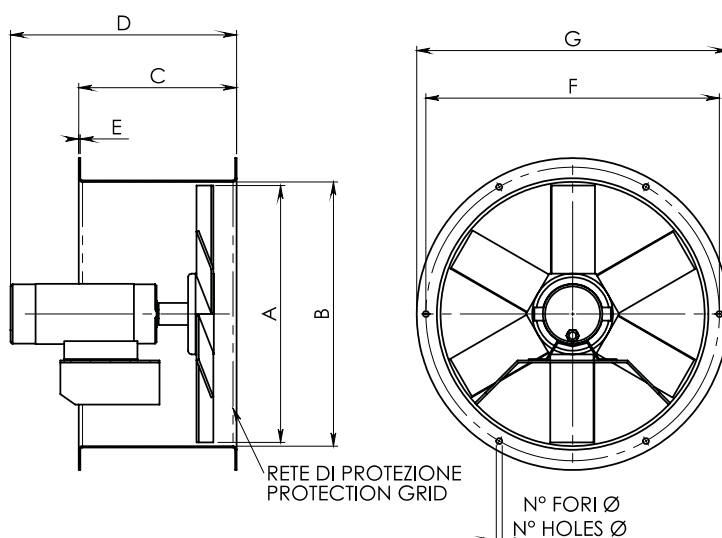
HBL

HBL-X  
acciaio inox / stainless steel

Modello (**) Type (**)	kW	Alimentazione (*) Feeding (*)	Assorbimento Absorption	Giri/min. RPM	Rumorosità (dB) Noise (dB)	Portata max (m <sup>3</sup> /m) Capacity max (m <sup>3</sup> /m)	Prevalenza max (mm/H2O) Head max (mm/H2O)
HBL 21	0.2	12V	12 A	2800	65	22	14
	0.2	24V	6 A	2800	65	22	14
	0.2	230V - 50Hz	2 A	2800	72	22	14
	0.2	230/400V - 50Hz	1.2-0.6 A	2800	72	22	14
HBL 25	0.3	12V	17 A	2500	68	37	19
	0.3	24V	9 A	2500	68	37	19
	0.37	230V - 50Hz	2.7 A	2800	72	42	20
	0.37	230/400V - 50Hz	1.4-0.8 A	2800	72	42	20
HBL 30	0.15	12V	10 A	1400	60	42	10
	0.15	24V	5 A	1400	60	42	10
	0.18	230V - 50Hz	1.8 A	1400	60	42	10
	0.18	230/400V - 50Hz	1.2-0.6 A	1400	60	42	10
HBL 30/2	0.37	24V	14 A	2000	68	75	22
	0.55	230V - 50Hz	4 A	2800	74	80	35
	0.55	230/400V - 50Hz	3-1.7 A	2800	74	80	35
HBL 35	0.15	12V	12 A	1400	60	62	16
	0.15	24V	6 A	1400	60	62	16
	0.18	230V - 50Hz	1.8 A	1400	60	62	16
	0.18	230/400V - 50Hz	1.2-0.6 A	1400	60	62	16
HBL 35/2	0.37	24V	16 A	2000	70	96	22
	1.1	230/400V - 50Hz	7.2 A	2800	72	100	60
	1.1	230V - 50Hz	5-2.9 A	2800	72	100	60
HBL 40	0.26	12V	14 A	1400	65	70	20
	0.26	24V	7 A	1400	65	70	20
	0.18	230/400V - 50Hz	1.8 A	1400	65	70	20
	0.18	230V - 50Hz	1.2-0.6 A	1400	65	70	20
HBL 40/2	0.55	24V	20 A	2000	72	130	24
	1.1	230V - 50Hz	7.2 A	2800	78	135	70
	1.1	230/400V - 50Hz	5-2.9 A	2800	78	135	70
HBL 45	0.26	24V	9 A	1400	68	108	20
	0.26	230V - 50Hz	2.6 A	1400	68	108	20
	0.26	230/400V - 50Hz	1.6-0.9 A	1400	68	108	20
HBL 45/2	0.6	24V	28 A	2000	78	145	28
	1.5	230V - 50Hz	9.6 A	2800	82	175	74
	1.5	230/400V - 50Hz	7.5-4.3 A	2800	82	175	74
HBL 50	0.75	24V	22 A	1400	74	160	28
	0.75	230V - 50Hz	5.1 A	1400	74	160	28
	0.75	230/400V - 50Hz	3.6-2.2 A	1400	74	160	28
HBL 56	0.75	24V	22 A	1400	74	225	28
	0.75	230V - 50Hz	5.1 A	1400	74	225	28
	0.75	230/400V - 50Hz	3.6-2.2 A	1400	74	225	28
HBL 63	1.1	230V - 50Hz	7.2 A	1400	78	312	36
	1.1	230/400V - 50Hz	5-2.9 A	1400	78	312	36
HBL 71	1.5	230V - 50Hz	9.6 A	1400	78	330	36
	1.5	230/400V - 50Hz	7.5-4.3 A	1400	78	330	36
HBL 71/B	3-0	230/400V - 50Hz	14-8.2 A	1400	82	400	42

(\*) Disponibili a richiesta con altri voltaggi a 50-60Hz / Available on request with other voltages at 50-60Hz

(\*\*) A richiesta disponibili altri modelli / Other product types available on request

**DIMENSIONI E PESI**
**DIMENSION AND WEIGHT**


Modello Type	Corrente Current	A	B	C	D	E	F	G	Fori / Holes	Peso / Weight (Kg)
HBL 21 - X 21	c.c - d.c.	205	215	200	255	1,5	250	275	No.6 x Ø10	6
HBL 25 - X 25	c.c - d.c.	240	250	200	325	1,5	285	315	No.6 x Ø10	7
HBL 30 - X 30	c.c - d.c.	305	315	200	300	1,5	348	378	No.6 x Ø11	8
HBL 30/2 - X 30/2	c.c - d.c.	305	315	200	330	1,5	348	378	No.6 x Ø11	10
HBL 35 - X 35	c.c - d.c.	350	360	215	300	1,5	400	425	No.6 x Ø11	9
HBL 35/2 - X 35/2	c.c - d.c.	350	360	215	330	1,5	400	425	No.6 x Ø11	11
HBL 40 - X 40	c.c - d.c.	400	410	215	330	1,5	440	473	No.6 x Ø11	12
HBL 40/2 - X 40/2	c.c - d.c.	400	410	215	370	1,5	440	473	No.6 x Ø11	14
HBL 45 - X 45	c.c - d.c.	450	460	230	330	1,5	495	523	No.6 x Ø11	13
HBL 45/2 - X 45/2	c.c - d.c.	450	460	230	380	1,5	495	523	No.6 x Ø11	18
HBL 50 - X 50	c.c - d.c.	500	510	270	400	1,5	545	573	No.8 x Ø11	21
HBL 56 - X 56	c.c - d.c.	560	570	300	400	1,5	605	633	No.8 x Ø11	24

Modello Type	Corrente Current	A	B	C	D	E	F	G	Fori / Holes	Peso / Weight (Kg)
HBL 21 - X 21	c.a. - a.c.	205	215	200	255	1,5	250	275	No.6 x Ø10	6
HBL 25 - X 25	c.a. - a.c.	240	250	200	325	1,5	285	315	No.6 x Ø10	7
HBL 30 - X 30	c.a. - a.c.	305	315	200	295	1,5	348	378	No.6 x Ø11	8
HBL 30/2 - X 30/2	c.a. - a.c.	305	315	200	330	1,5	348	378	No.6 x Ø11	10
HBL 35 - X 35	c.a. - a.c.	350	360	215	295	1,5	400	425	No.6 x Ø11	9
HBL 35/2 - X 35/2	c.a. - a.c.	350	360	215	400	1,5	400	425	No.6 x Ø11	13
HBL 40 - X 40	c.a. - a.c.	400	410	215	330	1,5	440	473	No.6 x Ø11	12
HBL 40/2 - X 40/2	c.a. - a.c.	400	410	215	410	1,5	440	473	No.6 x Ø11	15
HBL 45 - X 45	c.a. - a.c.	450	460	230	330	1,5	495	523	No.6 x Ø11	14
HBL 45/2 - X 45/2	c.a. - a.c.	450	460	230	410	1,5	495	523	No.6 x Ø11	20
HBL 50 - X 50	c.a. - a.c.	500	510	270	400	1,5	545	573	No.8 x Ø11	21
HBL 56 - X 56	c.a. - a.c.	560	570	300	400	1,5	605	633	No.8 x Ø11	24
HBL 63 - X 63	c.a. - a.c.	630	640	300	420	2	675	704	No.8 x Ø11	27
HBL 71 - X 71	c.a. - a.c.	700	710	300	450	2	745	774	No.12 x Ø 14	48
HBL 71/B - X 71/B	c.a. - a.c.	700	710	300	510	2	745	744	No.12 x Ø 14	58

Misure in millimetri (mm), dimensioni non impegnative / Measures in millimeter (mm), dimensions approximated