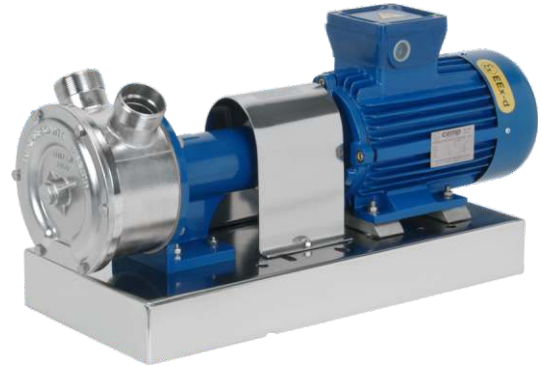




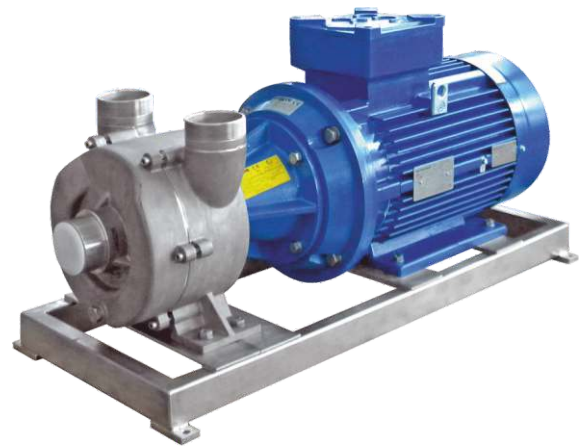
**GR ADPE SPECIAL Bronzo**



**GR ADPE SPECIAL Inox**



**GR ADPE SPECIAL con carrello**



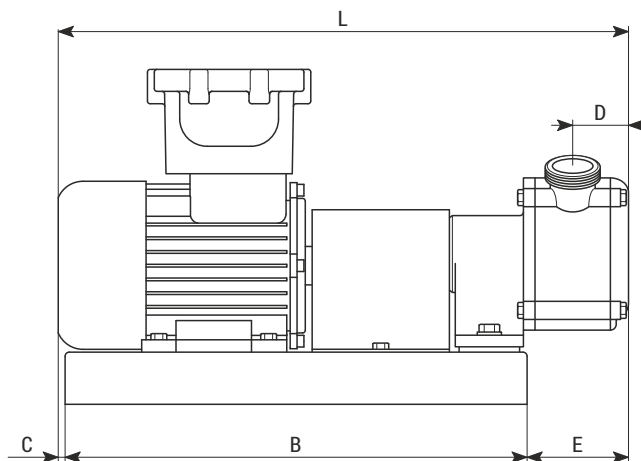
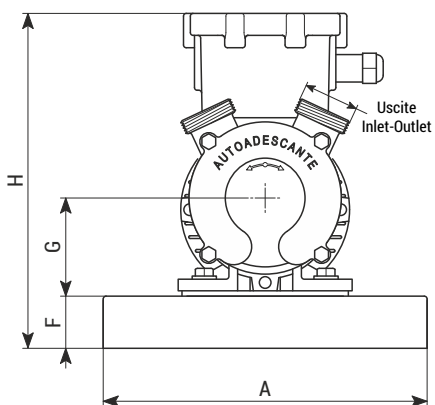
**GR ADPE NAUTIC 80 Inox**

GRUPPI MONOFASE (MF) O TRIFASE (TF) - 50 Hz / SINGLE-PHASE (MF) OR THREE PHASE (TF) GROUPS - 50 Hz																		
Modello Type	Materiale corpo Body material	Materiale girante Impeller material	Motore Motor		Hz	kW	Giri/min. RPM	H = Prevalenza (m) / Head (m) - Q = Portata (l/min.) / Capacity (l/min.)										
			TF*	MF*				0	5	10	15	18	22	30	35	40	55	H
<b>GR ADPE SPECIAL 20</b>	Bronzo Bronze	Bronzo Bronze	TF* 400V	MF* 230V	50	0.25	2800	29	20	10	0						Q	
<b>GR ADPE SPECIAL 25</b>	Bronzo Bronze	Bronzo Bronze	TF* 400V	MF* 230V	50	0.55	2800	60	47	30	12	0						
<b>GR ADPE SPECIAL 30</b>	Bronzo Bronze	Bronzo Bronze	TF* 400V	MF* 230V	50	0.75	1400	75	60	40	15	0						
<b>GR ADPE SPECIAL 40</b>	Bronzo Bronze	Bronzo Bronze	TF* 400V	MF* 230V	50	0.75	1400	120	105	85	62	45	0					
<b>GR ADPE SPECIAL 50</b>	Bronzo Bronze	Bronzo Bronze	TF* 400V	MF* 230V	50	1.5	1400	230	205	175	140	120	80	0				
<b>GR ADPE NAUTIC 70</b>	Bronzo Bronze	Bronzo Bronze	TF* 400V		50	5.5 7.5	1400 1400	500	455	415	365	330	280	165	90	0		
<b>GR ADPE SPECIAL NEOS 3/4"</b>	Inox AISI 316 S.S. AISI 316	Bronzo Bronze	TF* 400V	MF* 230V	50	0.25	2800	29	25	18	13	8	0					
<b>GR ADPE SPECIAL SENIOR 1"1/2</b>	Inox AISI 316 S.S. AISI 316	Bronzo Bronze	TF* 400V	MF* 230V	50	0.75	1400	120	105	85	62	45	0					
<b>GR ADPE SPECIAL MASTER 2"</b>	Inox AISI 316 S.S. AISI 316	Bronzo Bronze	TF* 400V	MF* 230V	50	1.5	1400	230	205	175	140	120	80	0				
<b>GR ADPE SPECIAL 60 Inox 2"</b>	Inox AISI 316 S.S. AISI 316	Inox AISI 316 S.S. AISI 316	TF* 400V		50	4.0	1400	350	310	265	220	190	150	60	0			
<b>GR ADPE NAUTIC 70 Inox</b>	Inox AISI 316 S.S. AISI 316	Bronzo Bronze	TF* 400V		50	5.5 7.5	1400 1400	500	455	415	365	330	280	165	90	0		
<b>GR ADPE NAUTIC 80 Inox</b>	Inox AISI 316 S.S. AISI 316	Inox AISI 316 S.S. AISI 316	TF* 400V		50	15.0	1400	900	840	780	720	660	620	500	410	310		0

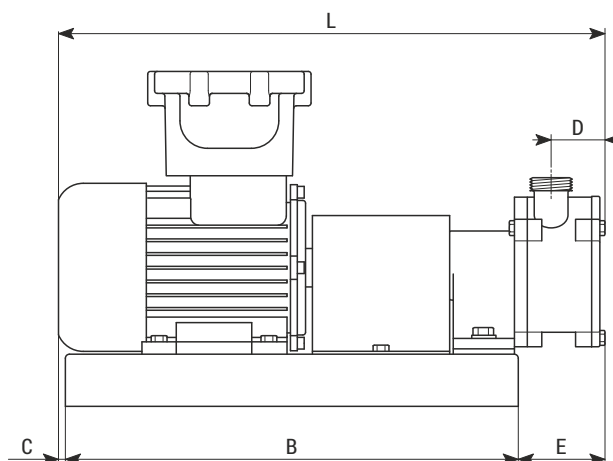
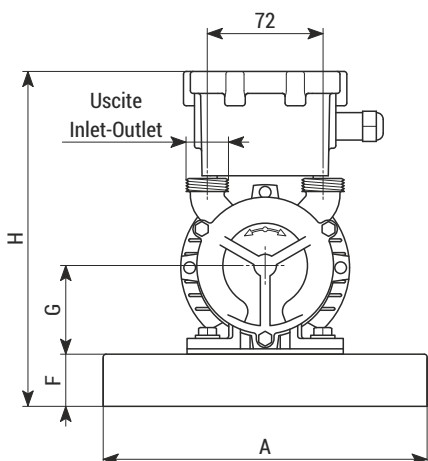
\* TF = trifase - MF = monofase / TF = three phase - MF = single phase



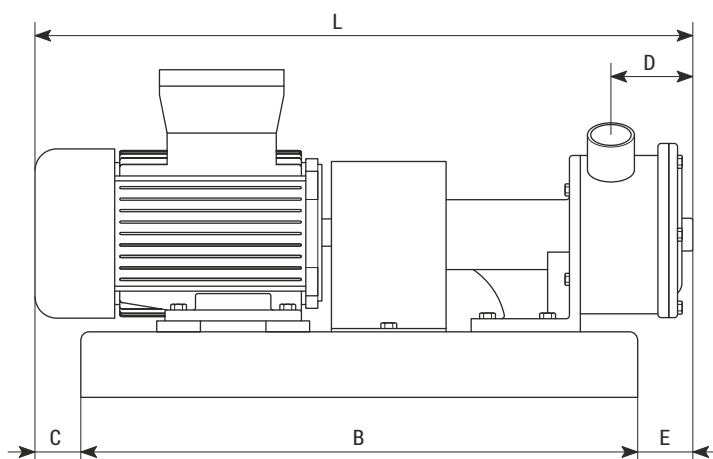
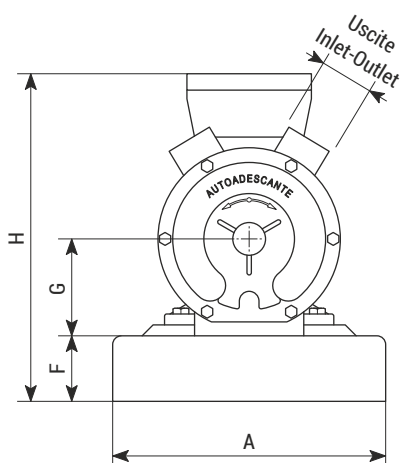
**GR ADPE  
SPECIAL  
20 - 25**



**GR ADPE  
SPECIAL  
NEOS 3/4"**



**GR ADPE  
SPECIAL  
30 - 40 - 50  
SENIOR 1 1/2  
MASTER 2"**



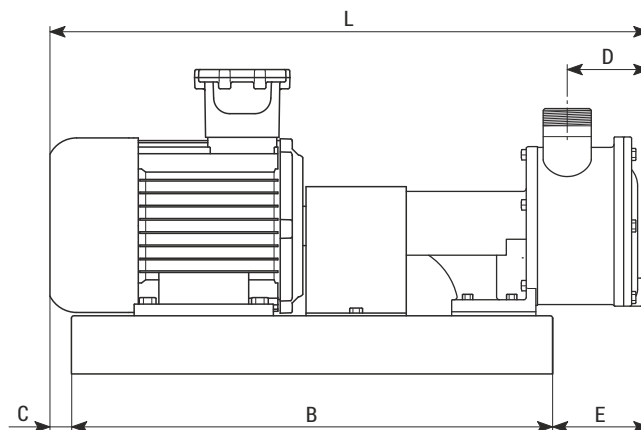
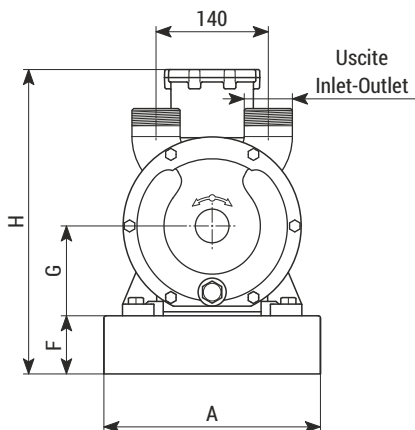
Tipo Type	Peso Weight	Uscite Inlet-Outlet	Raccordi Pipe fittings	Dimensioni (mm) / Dimensions (mm)									
				A	B	C	D	E	F	G	H	L	
GR ADPE SPECIAL 20	8.7 kg	BSP-M 3/4"	Ø20	236	330	55,4	35	55,6	38	63	245	441	
GR ADPE SPECIAL 25	12.7 kg	BSP-M 1"	Ø25	236	330	44,5	38,3	71,2	38	71	258	445,7	
GR ADPE SPECIAL 30	24.5 kg	BSP-M 1 1/4"	Ø30	270	600	-	52	4,6	72,5	90	332	605	
GR ADPE SPECIAL 40	26.0 kg	BSP-M 1 1/2"	Ø40	270	600	-	66	28	72,5	90	332	628	
GR ADPE SPECIAL 50	34.4 kg	BSP-M 2"	Ø50	270	600	39	90	62	72,5	107	335	701	
GR ADPE SPECIAL NEOS 3/4"	10.0 kg	BSP-M 3/4" *	Ø20 **	236	330	12	34	55	38	63	241	397	
GR ADPE SPECIAL SENIOR 1 1/2"	25.8 kg	BSP-M 1 1/2" *	Ø40 **	270	600	-	75,3	34	72,5	89	332	635	
GR ADPE SPECIAL MASTER 2"	36.1 kg	BSP-M 2" *	Ø50 **	270	600	39	91	61	72,5	107	305	700	

\* = Uscite standard BSP (Gas), altre uscite disponibili p.30 / Standard inlet-outlet BSP (Gas), different inlet-outlet are available see p.30

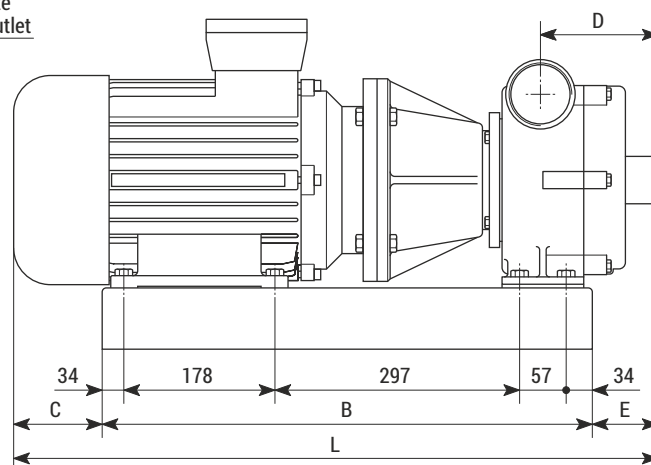
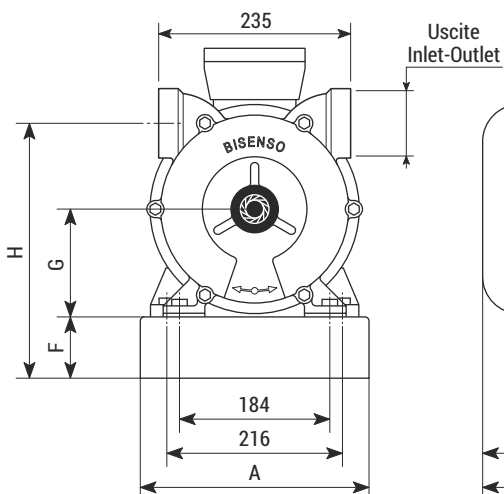
\*\* = Raccordi in acciaio inox o nylon a richiesta / Stainless steel or nylon pipe fittings on request

n.d. = Raccordi non disponibili / Pipe fittings not available

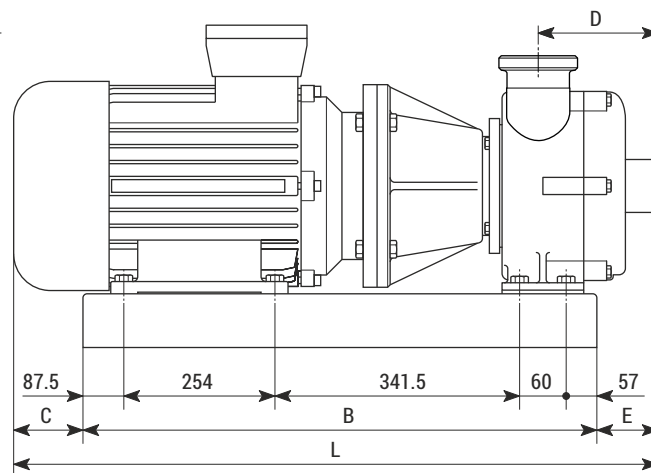
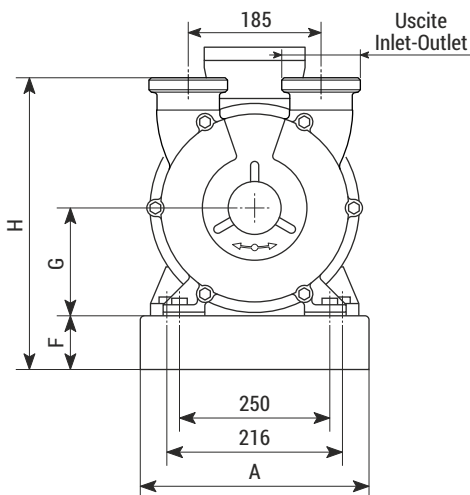
**GR ADPE SPECIAL  
60 Inox 2"**



**GR ADPE NAUTIC  
70 - 70 Inox**



**GR ADPE NAUTIC  
80 Inox**



Tipo Type	Peso Weight	Uscite Inlet-Outlet	Raccordi Pipe fittings	Dimensioni (mm) / Dimensions (mm)								
				A	B	C	D	E	F	G	H	L
<b>GR ADPE NAUTIC 70 (5.5 kW)</b>	77.5 kg	BSP-F 2"1/2	n.d.	270	600	100	146	81	72,5	132	310	781,5
<b>GR ADPE NAUTIC 70 (7.5 kW)</b>	91.5 kg	BSP-F 2"1/2	n.d.	270	600	115	146	81	72,5	132	310	796
<b>GR ADPE SPECIAL 60 Inox</b>	54.2 kg	BSP-F 2"1/2	n.d.	270	600	29	102	112	72,5	112	380	749
<b>GR ADPE NAUTIC 70 Inox (5.5 kW)</b>	77.1 kg	Garolla 70	n.d.	270	600	101	144	81	72,5	132	310	781,5
<b>GR ADPE NAUTIC 70 Inox (7.5 kW)</b>	91.1 kg	Garolla 70	n.d.	270	600	115	144	80	72,5	132	310	795
<b>GR ADPE NAUTIC 80 Inox</b>	175.3 kg	Garolla 80	n.d.	340	800	87	180	86	75	160	420	973

\* = Uscite standard BSP (Gas), altre uscite disponibili p.30 / Standard inlet-outlet BSP (Gas), different inlet-outlet are available see p.30

\*\* = Raccordi in acciaio inox o nylon a richiesta / Stainless steel or nylon pipe fittings on request

n.d. = Raccordi non disponibili / Pipe fittings not available