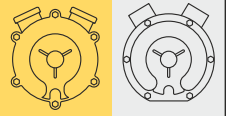


**SPECIAL FM
NAUTIC FM**

**POMPE SPECIAL-NAUTIC CON FRIZIONE MAGNETICA 12V/24V
SPECIAL-NAUTIC PUMP WITH MAGNETIC CLUTCH 12V/24V**



SPECIAL 30-40-50 FM



**SPECIAL SENIOR 1 1/2 FM
SPECIAL MASTER 2" FM**

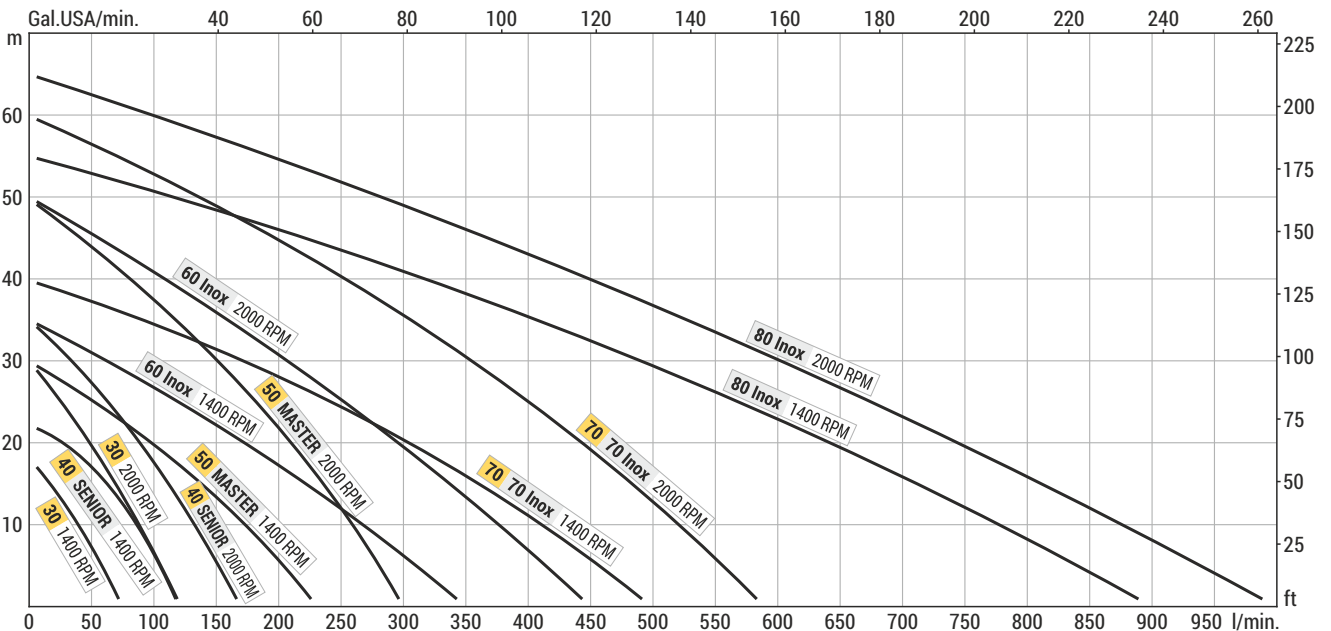


NAUTIC 70 FM

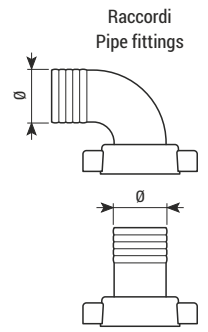
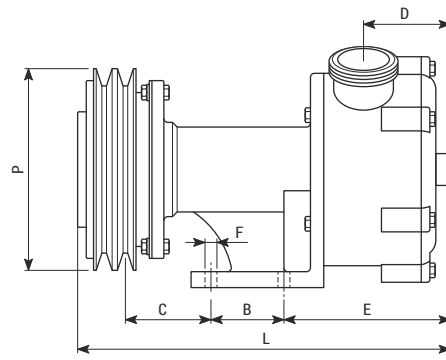
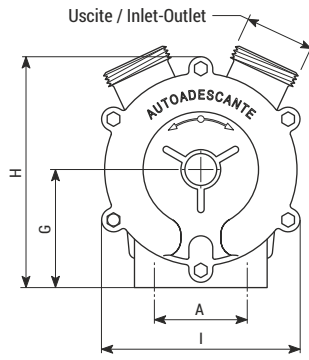
Modello ** Type **	Materiale Material	Giri/minuto RPM	kW *	H = Prevalenza (metri) / Head (meters) - Q = Portata (litri/minuto) / Capacity (liters/minute)															
				0	5	10	15	18	22	24	30	35	40	50	55	60	65	H	
SPECIAL 30 FM	Bronzo Bronze	standard	1400	0.75	75	60	40	15	0										
		max	2000	1.10	120	105	85	68	55	38	30	0							
SPECIAL 40 FM	Bronzo Bronze	standard	1400	1.10	120	105	85	62	45	0									
		max	2000	1.85	170	150	133	110	100	80	70	35	0						
SPECIAL 50 FM	Bronzo Bronze	standard	1400	1.85	230	205	175	140	120	80	60	0							
		max	2000	3.0	300	280	260	235	220	200	190	150	120	80	0				
NAUTIC 70 FM	Bronzo Bronze	standard	1400	7.5	500	455	415	365	330	280	255	165	90	0					
		max	2000	11.0	590	555	520	485	460	430	410	375	320	255	140	70	0		
SPECIAL SENIOR 1 1/2 FM	Inox AISI 316 S.S. AISI 316	standard	1400	1.10	120	105	85	62	45	0									
		max	2000	1.85	170	150	133	110	100	80	70	35	0						
SPECIAL MASTER 2" FM	Inox AISI 316 S.S. AISI 316	standard	1400	1.85	230	205	175	140	120	80	60	0							
		max	2000	3.0	300	280	260	235	220	200	190	150	120	80	0				
SPECIAL 60 Inox 2" FM	Inox AISI 316 S.S. AISI 316	standard	1400	4.0	350	310	265	220	190	150	130	60	0						
		max	2000	5.5	450	415	375	335	315	280	260	210	160	110	0				
NAUTIC 70 Inox FM	Inox AISI 316 S.S. AISI 316	standard	1400	7.5	500	455	415	365	330	280	255	165	90	0					
		max	2000	11.0	590	555	520	485	460	430	410	375	320	255	140	70	0		
NAUTIC 80 Inox FM	Inox AISI 316 S.S. AISI 316	standard	1400	15.0	900	840	780	720	660	620	580	500	410	310	110	0			
		max	2000	22.5	1000	940	875	810	770	720	690	600	530	450	280	190	100	0	

* = Potenza richiesta / Required power

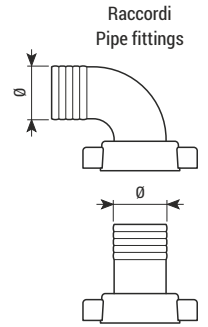
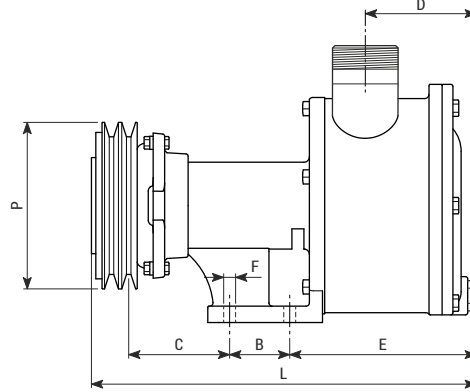
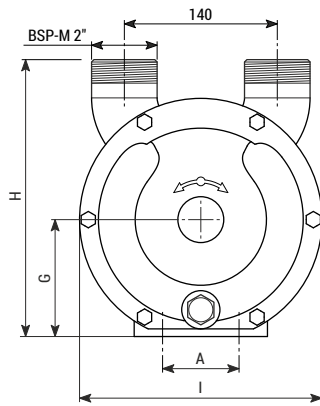
** = Disponibile con frizione magnetica 12V o 24V / Available with magnetic clutch 12V or 24V



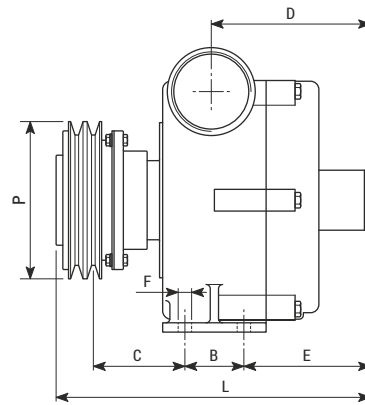
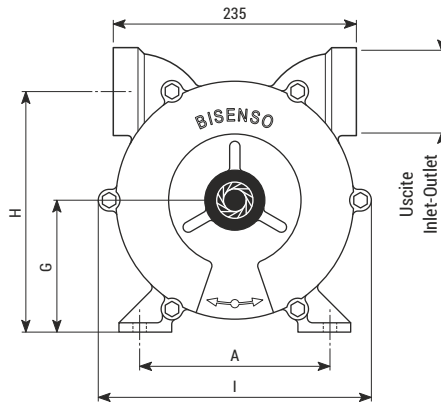
**SPECIAL
30-40-50 FM
SENIOR 1"1/2 FM
MASTER 2" FM**



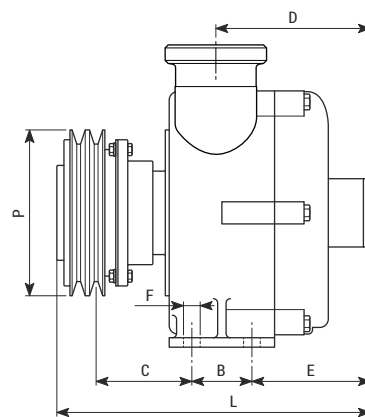
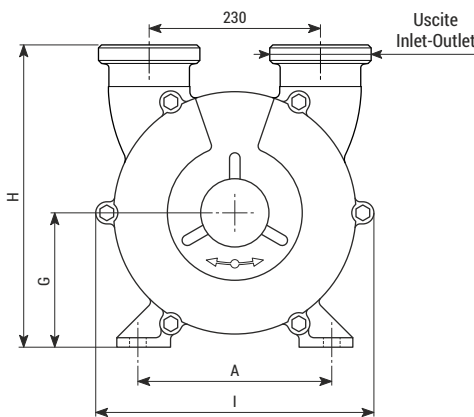
**SPECIAL
60 Inox FM**



**NAUTIC
70 FM
70 Inox FM**



**NAUTIC
80 Inox FM**



Tipo Type	Peso Weight	Uscite Inlet-Outlet	Raccordi Pipe fittings	Dimensioni (mm) / Dimensions (mm)										
				A	B	C	D	E	F	G	H	I	L	P
SPECIAL 30 FM	9.8 kg	BSP-M 1"1/4	Ø30	70	55	68	50	103	Ø8,5	89	175	150	265	Ø152x2A
SPECIAL 40 FM	10.3 kg	BSP-M 1"1/2	Ø40	70	55	68	67	128	Ø8,5	89	175	150	288	Ø152x2A
SPECIAL 50 FM	16.1 kg	BSP-M 2"	Ø50	70	55	94	90	160	Ø9	107	210	185	345	Ø152x2A
NAUTIC 70 FM	29.8 kg	BSP-F 2"1/2	n.d.	184	57	89	144	110	Ø13	128	231	185	286	Ø152x2A
SPECIAL SENIOR 1"1/2 FM	10.4 kg	BSP-M 1"1/2 *	Ø40 **	70	55	68	76	138	Ø8,5	89	175	167	298	Ø152x2A
SPECIAL MASTER 2" FM	16.2 kg	BSP-M 2" *	Ø50 **	70	55	94	94	160	Ø9	107	210	205	345	Ø152x2A
SPECIAL 60 Inox 2" FM	21.4 kg	BSP-M 2" *	Ø50 **	70	55	94	102	171	Ø9	107	258	222	356	Ø152x2A
NAUTIC 70 Inox FM	28.8 kg	BSP-M 2"1/2	n.d.	184	57	89	144	110	Ø13	128	231	185	286	Ø152x2A
NAUTIC 80 Inox FM	40.0 kg	Garolla 80	n.d.	250	60	89	181	144	Ø13	160	327	315	286	Ø152x2A

rif. UNI 5266

* = Uscite standard BSP (Gas), altre uscite disponibili p.30 / Standard inlet-outlet BSP (Gas), different inlet-outlet are available see p.30

** = Raccordi in acciaio inox o nylon a richiesta / Stainless steel or nylon pipe fittings on request

n.d. = Raccordi non disponibili / Pipe fittings not available