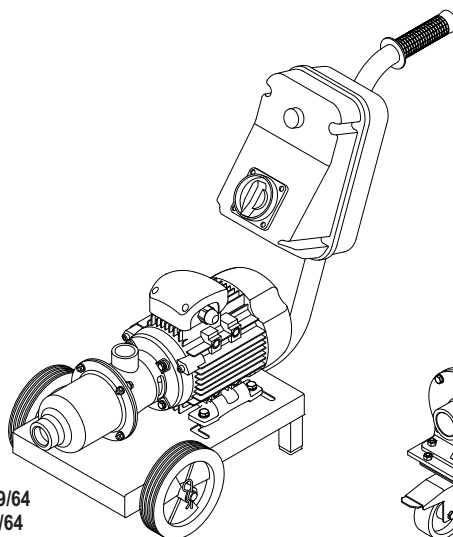
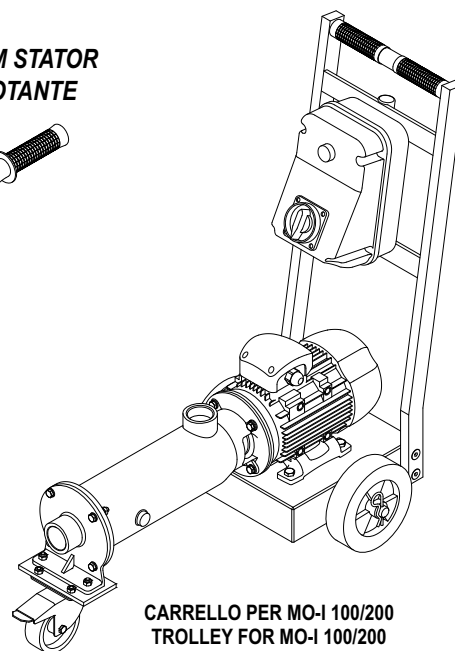


**CARRELLI PER ELETTROPOMPE MONOVITE A STATORE FLOTTANTE**  
**TROLLEY FOR WOBBLE STATOR SINGLE SCREW PUMPS**  
**CHARIOTS POUR ELECTROPOMPES A VIS HELICOIDALE A STATOR FLOTANT**  
**ZWEIRADWAGEN FÜR ELEKTRISCHE SCHNECKENPUMPEN MIT SCHWIMMENDEM STATOR**  
**CARROS PARA ELECTROBOMBAS DE TORNILLO HELICOIDAL CON ESTATOR FLOTANTE**



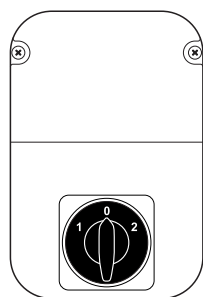
CARRELLO PER MO-I 25/28/44/49/64  
TROLLEY FOR MO-I 25/28/44/49/64



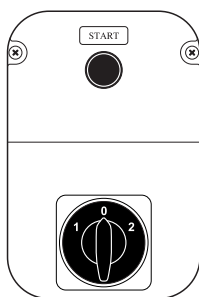
CARRELLO PER MO-I 100/200  
TROLLEY FOR MO-I 100/200

Modello Type	Codice Code
Carrello inox 330x240 per <b>MO-I 25/28/44/49/64</b> / Stainless steel trolley 330x240 for <b>MO-I 25/28/44/49/64</b>	36202049
Carrello inox 300x275 per <b>MO-I 100/200</b> (2 ruote fisse + 1 pivottante con freno) Stainless steel trolley 300x275 for <b>MO-I 100/200</b> (2 fixed wheels + 1 pivoting wheel)	36202070

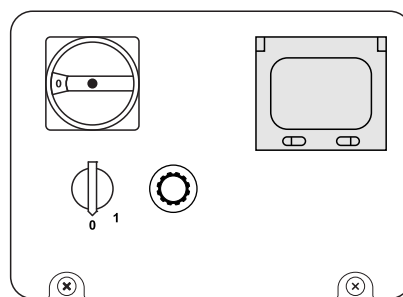
**QUADRI ELETTRICI PER ELETTROPOMPE MONOVITE A STATORE FLOTTANTE**  
**CONTROL PANELS FOR WOBBLE STATOR SINGLE SCREW PUMPS**  
**BOITIER ELECTRIQUES POUR ELECTROPOMPES A VIS HELICOIDALE A STATOR FLOTANT**  
**ELEKTRISCHE ANLAGE FÜR ELEKTRISCHE SCHNECKENPUMPEN MIT SCHWIMMENDEM STATOR**  
**CUADROS ELECTRICOS PARA ELECTROBOMBAS DE TORNILLO HELICOIDAL CON ESTATOR FLOTANTE**



QUADRO ELETTRICO STANDARD  
CON SOLO INVERTITORE  
STANDARD CONTROL PANEL  
WITH ONLY SWITCH REVERSE



QUADRO ELETTRICO CE  
CON PROTEZIONE TERMICA  
CE CONTROL PANEL  
WITH THERMAL PROTECTION



QUADRO INVERTER CON COMANDI BORDO QUADRO  
CONTROL PANEL WITH FREQUENCY CONVERTER  
(CONTROLS ON MAIN PANEL)

Quadri elettrici unidirezionali Not reversible control Panels	Codice MF* Code MF*	Codice TF* Code TF*
Quadro elettrico standard per <b>MO-I 25/28/44/49/64/100</b> / Standard control panel for <b>MO-I 25/28/44/49/64/100</b>	36371058DCI	36371058I
Quadro elettrico standard per <b>MO-I 200</b> / Standard control panel for <b>MO-I 200</b>	36371056DCI	36371056I
Quadro elettrico CE per <b>MO-I 25/28/44/49/64/100</b> / CE control panel for <b>MO-I 25/28/44/49/64/100</b>	36371059DCI	36371060I
Quadro elettrico CE per <b>MO-I 200</b> / CE control panel for <b>MO-I 200</b>	36371061DCI	36371061I
Quadri inverter unidirezionali con comandi bordo quadro Control panel with frequency converter one sense rotation (controls on main panel)	Codice Code	
Quadro inverter/Control panel with frequency converter MF 230V-50Hz 0,75 kW -> <b>MO-I 25/28/44/49</b> TF	36371101IBQ	
Quadro inverter/Control panel with frequency converter TF 400V-50Hz 0,75 kW -> <b>MO-I 25/28/44/49</b> TF	36371102IBQ	
Quadro inverter/Control panel with frequency converter MF 230V-50Hz 1,5 kW -> <b>MO-I 64/100</b> TF	36371098IBQ	
Quadro inverter/Control panel with frequency converter TF 400V-50Hz 1,5 kW -> <b>MO-I 64/100</b> TF	36371097IBQ	
Quadro inverter/Control panel with frequency converter TF 400V-50Hz 4,0 kW -> <b>MO-I 200</b> TF	36371100IBQ	

(\*) MF = Monofase/Single Phase - TF = Trifase/Three Phase