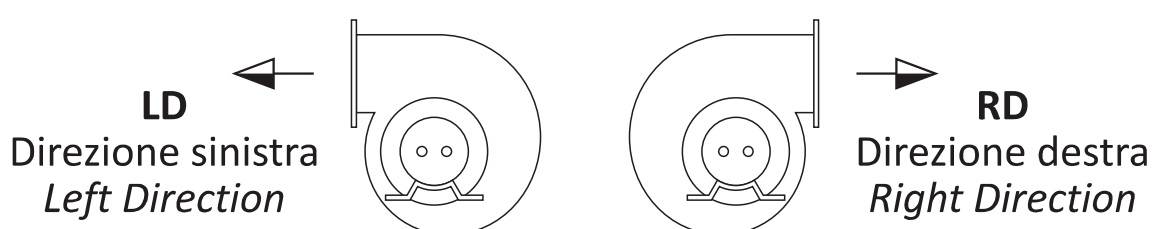


Aspirazione e ventilazione nei locali chiusi (WC, cucine, sala macchine e altri compartimenti). **In sede di ordine specificare direzione: LD (direzione sinistra) RD (direzione destra).**

*Air suction and ventilation in closed rooms (toilets, kitchen, engine room and other compartments). **Direction to specify on order: LD (left direction) RD (right direction).***



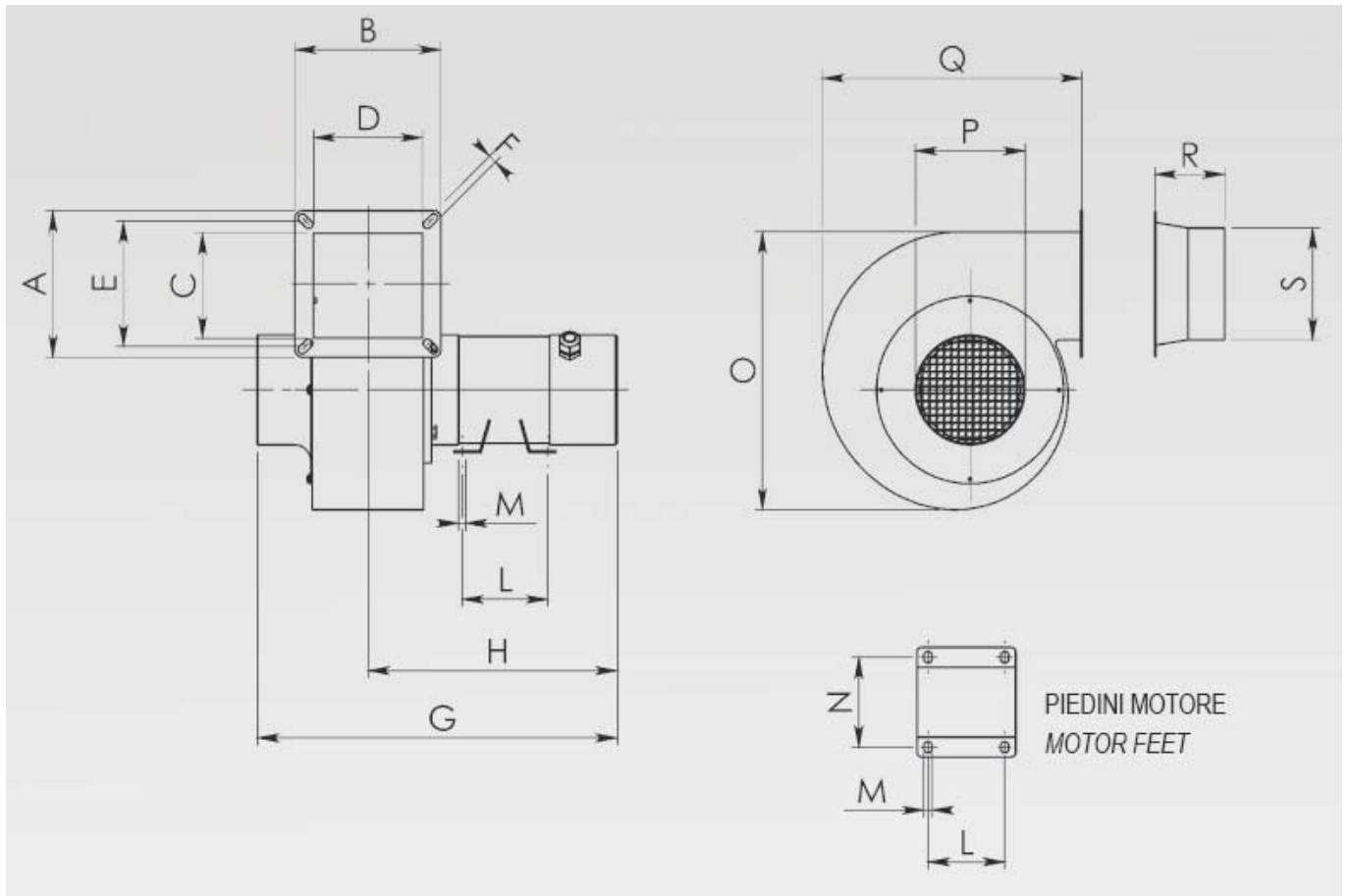
Modello ** Type **	kW	Alimentazione * Feeding *	Assorbimento Absorption	Giri/min. RPM	Rumorosità Noise	Portata max Capacity max	Prevalenza max Head max
CBL 002	0.07	12V	3.2A	2800	47 dB	4.5 m ³ /min	22 mmH ₂ O
	0.07	24V	1.6A	2800	47 dB	4.5 m ³ /min	22 mmH ₂ O
	0.12	230V - 50Hz	0.8A	2800	47 dB	4.5 m ³ /min	22 mmH ₂ O
	0.12	230/400V - 50Hz	0.8-0.5A	2800	47 dB	4.5 m ³ /min	22 mmH ₂ O
CBL 003	0.18	12V	8A	2800	55 dB	10 m ³ /min	40 mmH ₂ O
	0.18	24V	4A	2800	55 dB	10 m ³ /min	40 mmH ₂ O
	0.18	230V - 50Hz	1A	2800	60 dB	10 m ³ /min	40 mmH ₂ O
	0.18	230/400V - 50Hz	0.9-0.6A	2800	60 dB	10 m ³ /min	40 mmH ₂ O
CBL 004	0.12	12V	6A	2500	56 dB	12 m ³ /min	35 mmH ₂ O
	0.12	24V	3A	2500	56 dB	12 m ³ /min	35 mmH ₂ O
	0.25	230V - 50Hz	2.2A	2800	65 dB	15 m ³ /min	45 mmH ₂ O
	0.25	230/400V - 50Hz	1.3-0.8A	2800	65 dB	15 m ³ /min	45 mmH ₂ O
CBL 015	0.25	12V	24A	1400	55 dB	24 m ³ /min	34 mmH ₂ O
	0.25	24V	12A	1400	55 dB	24 m ³ /min	34 mmH ₂ O
	0.25	230V - 50Hz	2.2A	1400	55 dB	24 m ³ /min	34 mmH ₂ O
	0.25	230/400V - 50Hz	1.3-0.8A	1400	55 dB	24 m ³ /min	34 mmH ₂ O
CBL 028	0.3	12V	26A	2800	65 dB	24 m ³ /min	64 mmH ₂ O
	0.3	24V	14A	2800	65 dB	24 m ³ /min	64 mmH ₂ O
	0.37	230V - 50Hz	2.8A	2800	65 dB	24 m ³ /min	64 mmH ₂ O
	0.37	230/400V - 50Hz	1.5-0.9A	2800	65 dB	24 m ³ /min	64 mmH ₂ O
CBL 023	0.55	12V	30A	2000	70 dB	37 m ³ /min	64 mmH ₂ O
	0.55	24V	22A	2000	70 dB	37 m ³ /min	64 mmH ₂ O
	1.1	230V - 50Hz	7A	2800	76 dB	58 m ³ /min	130 mmH ₂ O
	1.1	230/400V - 50Hz	5-2.9A	2800	76 dB	58 m ³ /min	130 mmH ₂ O
CBL 025	0.55	24V	30A	1400	70 dB	50 m ³ /min	55 mmH ₂ O
	0.55	230V - 50Hz	5.2A	1400	70 dB	50 m ³ /min	55 mmH ₂ O
	0.55	230/400V - 50Hz	3.6-2.2A	1400	70 dB	50 m ³ /min	55 mmH ₂ O
CBL 030	1.1	230V - 50Hz	7.2A	1400	74 dB	95 m ³ /min	75 mmH ₂ O
	1.1	230/400V - 50Hz	5-2.9A	1400	74 dB	95 m ³ /min	75 mmH ₂ O

* Disponibili a richiesta con altri voltaggi a 50-60Hz / Available on request with other voltages at 50-60Hz

** A richiesta disponibili altri modelli / Other product types available on request

DIMENSIONI E PESI

DIMENSION AND WEIGHT



Modello Type	Corrente Current	A	B	C	D	E	F	G	H	L	M	N	O	P	Q	R	S	Peso/Weight (Kg)
CBL 002	c.c - d.c.	105	110	60	70	90	7	295	210	80	7	100	190	58	168	50	58	3,5
CBL 003	c.c - d.c.	140	140	85	85	110	7	370	255	80	7	100	270	98	225	60	98	5,5
CBL 004	c.c - d.c.	130	155	85	110	110	9	370	255	80	7	100	270	98	225	75	98	6
CBL 028	c.c - d.c.	160	160	110	110	135	9	390	270	90	8	112	322	118	273	75	118	10
CBL 015	c.c - d.c.	190	190	140	140	135	9	415	275	90	8	112	405	148	338	75	148	14
CBL 023	c.c - d.c.	215	215	160	160	192	2xN° 8	530	340	90	8	112	420	200	340	150	160	18
CBL 025	c.c - d.c.	255	255	200	200	232	2xN° 8	570	370	90	8	112	510	250	420	150	200	23
CBL 002	c.a - a.c.	105	110	60	70	90	7	270	185	-	-	-	190	58	168	50	58	3
CBL 003	c.a - a.c.	140	140	85	85	110	7	320	225	80	7	100	270	98	225	60	98	5,5
CBL 004	c.a - a.c.	130	155	85	110	110	9	345	235	80	7	100	270	98	225	75	98	6
CBL 028	c.a - a.c.	160	160	110	110	135	9	360	260	90	8	112	322	118	273	75	118	8
CBL 015	c.a - a.c.	190	190	140	140	135	9	385	265	80	7	100	405	148	338	75	148	12
CBL 023	c.a - a.c.	215	215	160	160	192	2xN° 8	480	280	100	9,5	125	420	200	340	150	160	22
CBL 025	c.a - a.c.	255	255	200	200	232	2xN° 8	520	320	90	8	112	510	250	420	150	200	28
CBL 030	c.a - a.c.	295	295	240	240	272	2xN° 12	580	355	100	9,5	125	610	300	500	200	250	38

Misure in millimetri (mm), dimensioni non impegnative / Measures in millimeter (mm), dimensions approximated