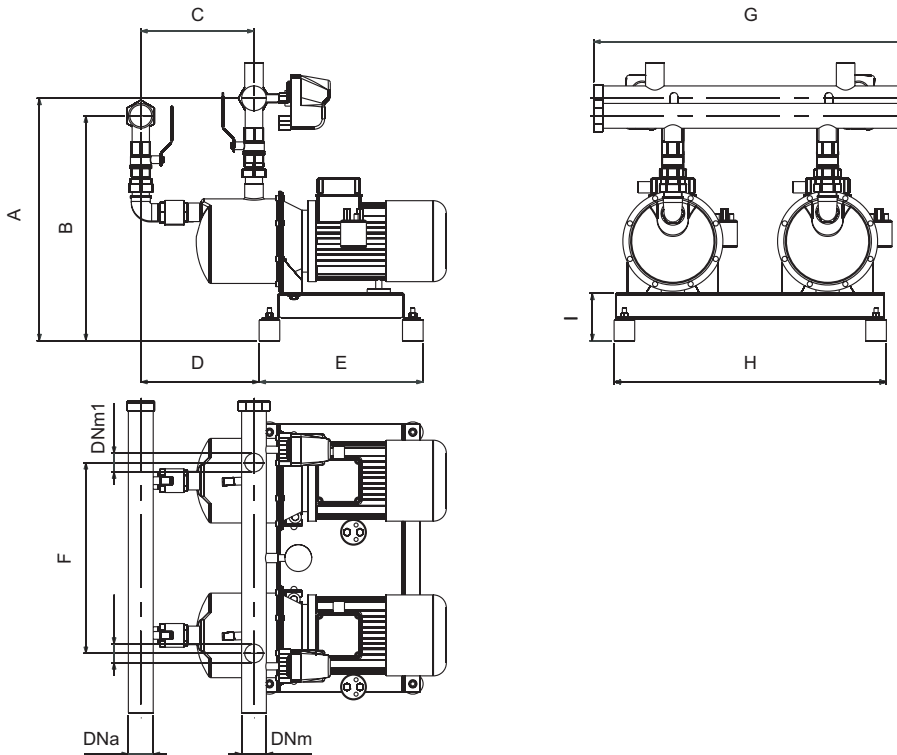


Orizzontale Horizontal	Materiale Material	Pompa Pump	kW	Alimentazione (*) Feeding (*)	Giri/min. RPM	Portata max (l/min) Capacity max (l/min)	Prevalenza max (m) Head max (m)
GDO-IJ	Inox St. Steel	1	0.6	24V	2700	50 + 50	38
		2	0.6	24V	2700		38
		1	0.7	230V - 50Hz	2800	60 + 60	48
		2	0.7	230V - 50Hz	2800		48
		1	0.7	230/400V - 50Hz	2800	60 + 60	48
		2	0.7	230/400V - 50Hz	2800		48
		1	0.7	24V	2700	50 + 60	38
		2	0.7	230V - 50Hz	2800		48
GDO-IJMG	Inox St. Steel	1	0.75	24V	2800	90 + 90	50
		2	0.75	24V	2800		50
		1	1.0	230V - 50Hz	2800	100 + 100	60
		2	1.0	230V - 50Hz	2800		60
		1	1.0	230/400V - 50Hz	2800	100 + 100	60
		2	1.0	230/400V - 50Hz	2800		60
		1	0.75	24V	2800	90 + 100	50
		2	1.0	230V - 50Hz	2800		60
		1	0.75	24V	2800	90 + 100	50
		2	1.0	230/400V - 50Hz	2800		60



Modello Type	Dna (Gas-BSP)	Dnm (Gas-BSP)	Dnm 1 (Gas-BSP)	A	B	C	D	E	F	G	H	I	Peso / Weight (Kg)
GDO-IJ DC - DC	1"1/2	1"1/2	1"	455	436	220	158	318	300	604	528	92	30
GDO-IJ AC - AC	1"1/2	1"1/2	1"	430	425	220	158	318	300	604	528	92	26
GDO-IJ AC - DC	1"1/2	1"1/2	1"	455	436	220	158	318	300	604	528	92	28
GDO-IJMG DC - DC	1"1/2	1"1/2	1"	470	436	220	230	318	300	604	528	92	40
GDO-IJMG AC - AC	1"1/2	1"1/2	1"	452	430	205	215	318	300	604	528	92	35
GDO-IJMG AC - DC	1"1/2	1"1/2	1"	470	436	220	230	318	300	604	528	92	37