

## Pompe autoadescanti volumetriche ad ingranaggi *Selfpriming volumetric gear electric pumps*

Pompe autoadescanti volumetriche ad ingranaggi, costruzione base-giunto, adatte per il trasferimento di liquidi viscosi e privi di sostanze solide in sospensione come olio lubrificante, olio combustibile e gasolio. Per viscosità superiori ai 150-200 cP richiedere motore a 900 giri/min.

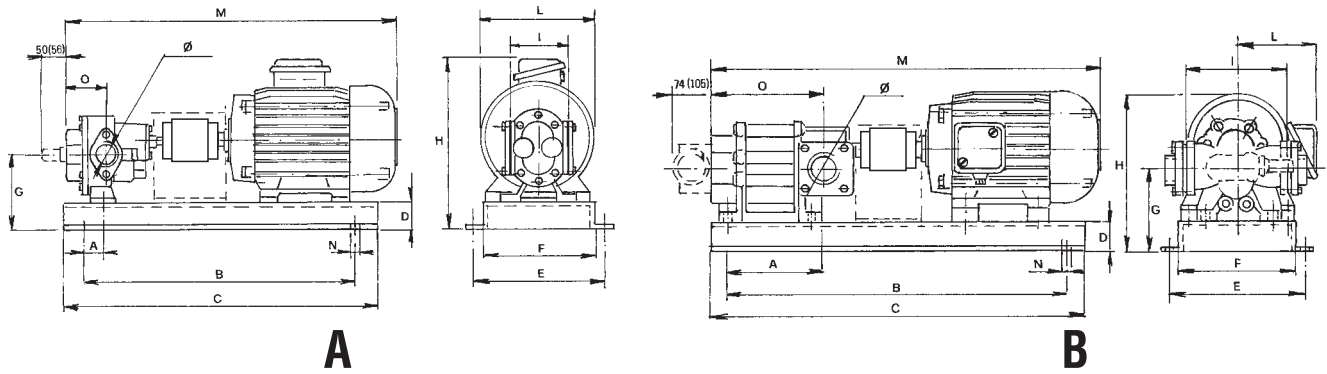
*Selfpriming volumetric gear electric pumps on base frame suitable for transferring of viscous liquids but without any solid parts in suspension like lubricating oil, fuel oil and diesel oil. For viscosities higher than 150-200 cP please ask for 900 RPM motor.*



| Modello **<br>Type ** | Materiale<br>Material | kW   | Alimentazione *<br>Feeding * | Giri/min.<br>RPM | Portata<br>Capacity | Prevalenza<br>Head |
|-----------------------|-----------------------|------|------------------------------|------------------|---------------------|--------------------|
| GEAR BASE 100-B       | Bronzo<br>Bronze      | 2.2  | 230V - 50 Hz                 | 1400             | 115 l/min           | 50 m               |
|                       |                       | 2.2  | 230/400V - 50Hz              | 1400             | 115 l/min           | 50 m               |
|                       |                       | 3.0  | 230/400V - 50Hz              | 1400             | 105 l/min           | 100 m              |
| GEAR BASE 150-B       | Bronzo<br>Bronze      | 3.0  | 230/400V - 50Hz              | 1400             | 164 l/min           | 50m                |
|                       |                       | 4.0  | 230/400V - 50Hz              | 1400             | 156 l/min           | 100 m              |
| GEAR BASE 200-B       | Bronzo<br>Bronze      | 4.0  | 230/400V - 50Hz              | 1400             | 212 l/min           | 50 m               |
|                       |                       | 5.5  | 230/400V - 50Hz              | 1400             | 205 l/min           | 100 m              |
| GEAR BASE 250-B       | Bronzo<br>Bronze      | 4.0  | 230/400V - 50Hz              | 1400             | 258 l/min           | 50 m               |
|                       |                       | 7.5  | 230/400V - 50Hz              | 1400             | 250 l/min           | 100 m              |
| GEAR BASE 300-B       | Bronzo<br>Bronze      | 5.5  | 230/400V - 50Hz              | 1400             | 314 l/min           | 50 m               |
|                       |                       | 7.5  | 230/400V - 50Hz              | 1400             | 302 l/min           | 100 m              |
| GEAR BASE 350-B       | Bronzo<br>Bronze      | 5.5  | 230/400V - 50Hz              | 1400             | 365 l/min           | 50 m               |
|                       |                       | 11.0 | 230/400V - 50Hz              | 1400             | 350 l/min           | 100 m              |
| GEAR BASE 400-B       | Bronzo<br>Bronze      | 7.5  | 230/400V - 50Hz              | 1400             | 415 l/min           | 50 m               |
|                       |                       | 11.0 | 230/400V - 50Hz              | 1400             | 405 l/min           | 100 m              |
| GEAR BASE 500-B       | Bronzo<br>Bronze      | 11.0 | 230/400V - 50Hz              | 1400             | 515 l/min           | 50 m               |
|                       |                       | 15.0 | 230/400V - 50Hz              | 1400             | 505 l/min           | 100 m              |
| GEAR BASE 600-B       | Bronzo<br>Bronze      | 11.0 | 230/400V - 50Hz              | 1400             | 620 l/min           | 50 m               |
|                       |                       | 15.0 | 230/400V - 50Hz              | 1400             | 600 l/min           | 100 m              |
| GEAR BASE 100-G       | Ghisa<br>Cast Iron    | 2.2  | 230V - 50 Hz                 | 1400             | 115 l/min           | 50 m               |
|                       |                       | 2.2  | 230/400V - 50Hz              | 1400             | 115 l/min           | 50 m               |
|                       |                       | 3.0  | 230/400V - 50Hz              | 1400             | 105 l/min           | 100 m              |
| GEAR BASE 150-G       | Ghisa<br>Cast Iron    | 3.0  | 230/400V - 50Hz              | 1400             | 164 l/min           | 50m                |
|                       |                       | 4.0  | 230/400V - 50Hz              | 1400             | 156 l/min           | 100 m              |
| GEAR BASE 200-G       | Ghisa<br>Cast Iron    | 4.0  | 230/400V - 50Hz              | 1400             | 212 l/min           | 50 m               |
|                       |                       | 5.5  | 230/400V - 50Hz              | 1400             | 205 l/min           | 100 m              |
| GEAR BASE 250-G       | Ghisa<br>Cast Iron    | 4.0  | 230/400V - 50Hz              | 1400             | 258 l/min           | 50 m               |
|                       |                       | 7.5  | 230/400V - 50Hz              | 1400             | 250 l/min           | 100 m              |
| GEAR BASE 300-G       | Ghisa<br>Cast Iron    | 5.5  | 230/400V - 50Hz              | 1400             | 314 l/min           | 50 m               |
|                       |                       | 7.5  | 230/400V - 50Hz              | 1400             | 302 l/min           | 100 m              |
| GEAR BASE 350-G       | Ghisa<br>Cast Iron    | 5.5  | 230/400V - 50Hz              | 1400             | 365 l/min           | 50 m               |
|                       |                       | 11.0 | 230/400V - 50Hz              | 1400             | 350 l/min           | 100 m              |
| GEAR BASE 400-G       | Ghisa<br>Cast Iron    | 7.5  | 230/400V - 50Hz              | 1400             | 415 l/min           | 50 m               |
|                       |                       | 11.0 | 230/400V - 50Hz              | 1400             | 405 l/min           | 100 m              |
| GEAR BASE 500-G       | Ghisa<br>Cast Iron    | 11.0 | 230/400V - 50Hz              | 1400             | 515 l/min           | 50 m               |
|                       |                       | 15.0 | 230/400V - 50Hz              | 1400             | 505 l/min           | 100 m              |
| GEAR BASE 600-G       | Ghisa<br>Cast Iron    | 11.0 | 230/400V - 50Hz              | 1400             | 620 l/min           | 50 m               |
|                       |                       | 15.0 | 230/400V - 50Hz              | 1400             | 600 l/min           | 100 m              |
| GEAR BASE 1500/8-G    | Ghisa / Cast Iron     | 11.0 | 230/400V - 50Hz              | 700              | 700 l/min           | 50 m               |
| GEAR BASE 2000/8-G    | Ghisa / Cast Iron     | 15.0 | 230/400V - 50Hz              | 700              | 940 l/min           | 50 m               |

\* Disponibili a richiesta con altri voltaggi a 50-60Hz / Available on request with other voltages at 50-60Hz

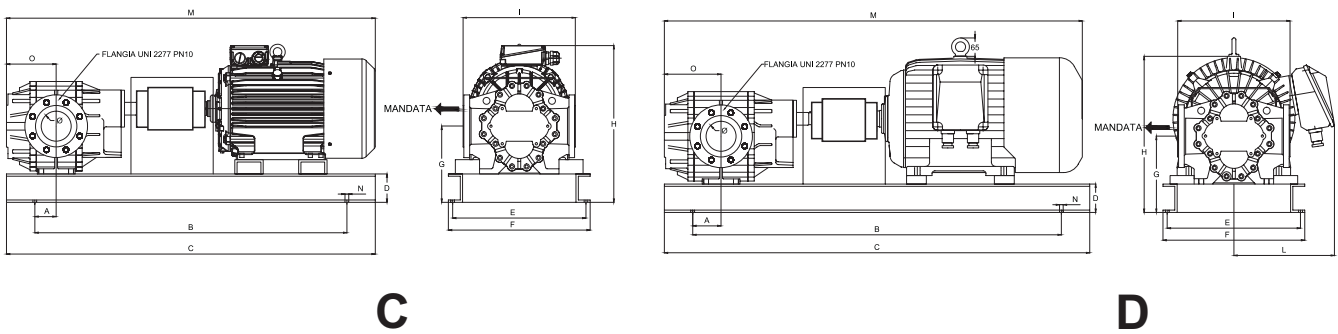
\*\* Disponibili a richiesta con valvola by-pass (escluso GEAR 10-G/1) / Available on request with by-pass valve (except GEAR 10-G/1)



**DIMENSIONE E PESI - DIMENSION AND WEIGHTS**

|          | TIPO - TYPE |        |      | DIMENSIONI - DIMENSIONS |      |      |     |     |     |     |     |     |      |      |     |     |       |     |     |
|----------|-------------|--------|------|-------------------------|------|------|-----|-----|-----|-----|-----|-----|------|------|-----|-----|-------|-----|-----|
|          | POMPA       | MOTORE |      | A                       | B    | C    | D   | E   | F   | G   | H   | I   | L    | M    | N   | O   | Ø     | Kg  |     |
|          |             | GR     | KW   |                         |      |      |     |     |     |     |     |     |      |      |     |     |       |     |     |
| <b>A</b> | GEAR        | 100 C4 | 2.2  | 50                      | 500  | 600  | 70  | 290 | 250 | 182 | 349 | 136 | 200  | 631  | 13  | 100 | 2"    | 51  |     |
|          | BASE 100    | 100 S4 | 3.0  |                         |      |      |     |     |     |     |     |     |      |      |     |     |       | 54  |     |
|          | GEAR        | 100 S4 | 3.0  | 70                      | 500  | 600  | 70  | 290 | 250 | 182 | 349 | 136 | 200  | 651  | 13  | 120 | 2"    | 57  |     |
|          | BASE 150    | 112 S4 | 4.0  |                         |      |      |     |     |     |     | 361 |     | 224  | 671  |     |     |       | 74  |     |
| <b>B</b> | GEAR        | 112 S4 | 4.0  | 127                     | 550  | 650  | 70  | 340 | 300 | 176 | 357 | 212 | 224  | 709  | 13  | 177 | 2"1/2 | 75  |     |
|          | BASE 200    | 132 S4 | 5.5  |                         | 700  | 800  |     | 400 | 360 |     | 382 |     | 189  | 761  |     |     |       | 84  |     |
|          | GEAR        | 112 S4 | 4.0  | 139                     | 550  | 650  | 70  | 340 | 300 | 176 | 357 | 212 | 224  | 721  | 13  | 189 | 2"1/2 | 76  |     |
|          | BASE 250    | 132 A4 | 7.5  |                         | 700  | 800  |     | 400 | 360 |     | 382 |     | 189  | 811  |     |     |       | 80  |     |
|          | GEAR        | 132 S4 | 5.5  | 151                     | 700  | 800  | 70  | 400 | 360 | 176 | 382 | 212 | 189  | 785  | 13  | 201 | 2"1/2 | 92  |     |
|          | BASE 300    | 132 A4 | 7.5  |                         |      |      |     |     |     |     |     |     |      | 823  |     |     |       | 100 |     |
|          | GEAR        | 132 S4 | 5.5  | 163                     | 700  | 800  | 70  | 400 | 360 | 176 | 382 | 212 | 189  | 797  | 13  | 213 | 2"1/2 | 93  |     |
|          | BASE 350    | 160 C4 | 11.0 |                         |      |      |     |     |     |     | 197 | 434 |      | 336  | 947 |     |       |     | 130 |
|          | GEAR        | 132 A4 | 7.5  | 177                     | 700  | 800  | 70  | 400 | 360 | 176 | 382 | 212 | 189  | 849  | 13  | 227 | 2"1/2 | 107 |     |
|          | BASE 400    | 160 C4 | 11.0 |                         | 900  | 1000 |     |     |     |     | 197 | 434 |      | 336  | 961 |     |       |     | 138 |
|          | GEAR        | 160 C4 | 11.0 | 183                     | 900  | 1000 | 70  | 400 | 360 | 212 | 464 | 263 | 336  | 970  | 13  | 233 | 3"    | 167 |     |
|          | BASE 500    | 160 S4 | 15.0 |                         |      |      |     |     |     |     |     |     |      | 1014 |     |     |       | 200 |     |
| GEAR     | 160 C4      | 11.0   | 201  | 900                     | 1000 | 70   | 400 | 360 | 212 | 464 | 263 | 336 | 988  | 13   | 251 | 3"  | 178   |     |     |
| BASE 600 | 160 S4      | 15.0   |      |                         |      |      |     |     |     |     |     |     | 1032 |      |     |     | 208   |     |     |

**DIMENSIONI NON IMPEGNATIVE - APPROXIMATE DIMENSIONS**



|          | TIPO - TYPE |        |    |      | DIMENSIONI - DIMENSIONS |     |      |      |     |     |     |     |     |     |     |      |    |     |
|----------|-------------|--------|----|------|-------------------------|-----|------|------|-----|-----|-----|-----|-----|-----|-----|------|----|-----|
|          | POMPA       | MOTORE |    |      | Ø                       | A   | B    | C    | D   | E   | F   | G   | H   | I   | L   | M    | N  | O   |
|          |             | GR     | KW | Poli |                         |     |      |      |     |     |     |     |     |     |     |      |    |     |
| <b>C</b> | GEAR        | 180    | 11 | 8    | DN 100                  | 75  | 1100 | 1300 | 100 | 470 | 500 | 269 | 553 | 398 | /   | 1300 | 13 | 175 |
|          | BASE 1500   |        |    |      |                         |     |      |      |     |     |     |     |     |     |     |      |    |     |
| <b>D</b> | GEAR        | 200    | 15 | 8    | DN 100                  | 100 | 1300 | 1500 | 100 | 470 | 500 | 269 | 550 | 398 | 355 | 1480 | 13 | 200 |
|          | BASE 2000   |        |    |      |                         |     |      |      |     |     |     |     |     |     |     |      |    |     |

**DIMENSIONI NON IMPEGNATIVE - APPROXIMATE DIMENSIONS**