

Serie MO-I: Pompe monovite con corpo inox utilizzate per il trasferimento di liquidi alimentari e chimici, liquidi densi anche con corpi in sospensione, viscosi come olio di oliva e in generale tutti gli olii alimentari.

MO-I Type: Single screw pumps with stainless steel pump body for transfer of food and chemical fluids, heavy liquids also with solid parts in suspension, viscous like olive oil and in general all food oils.



PERFORMANCE CURVE

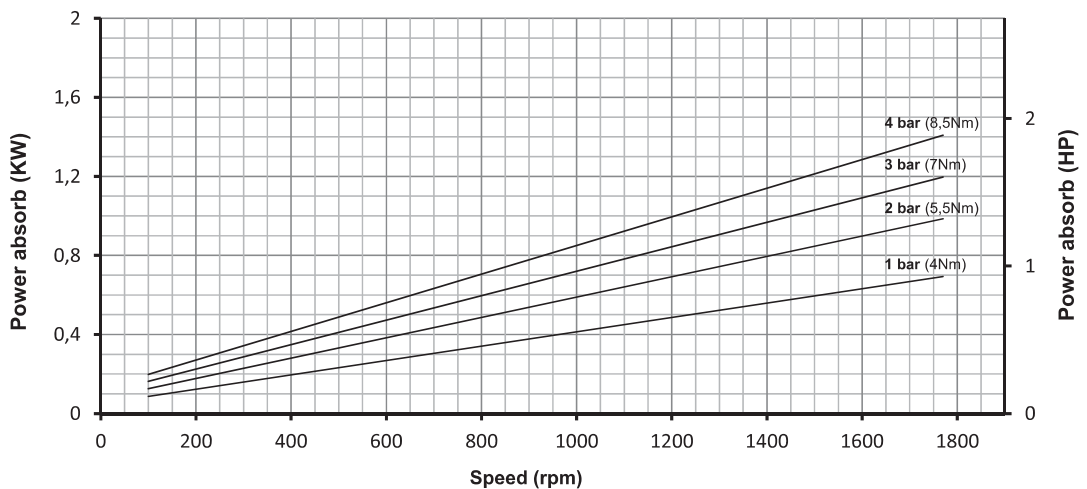
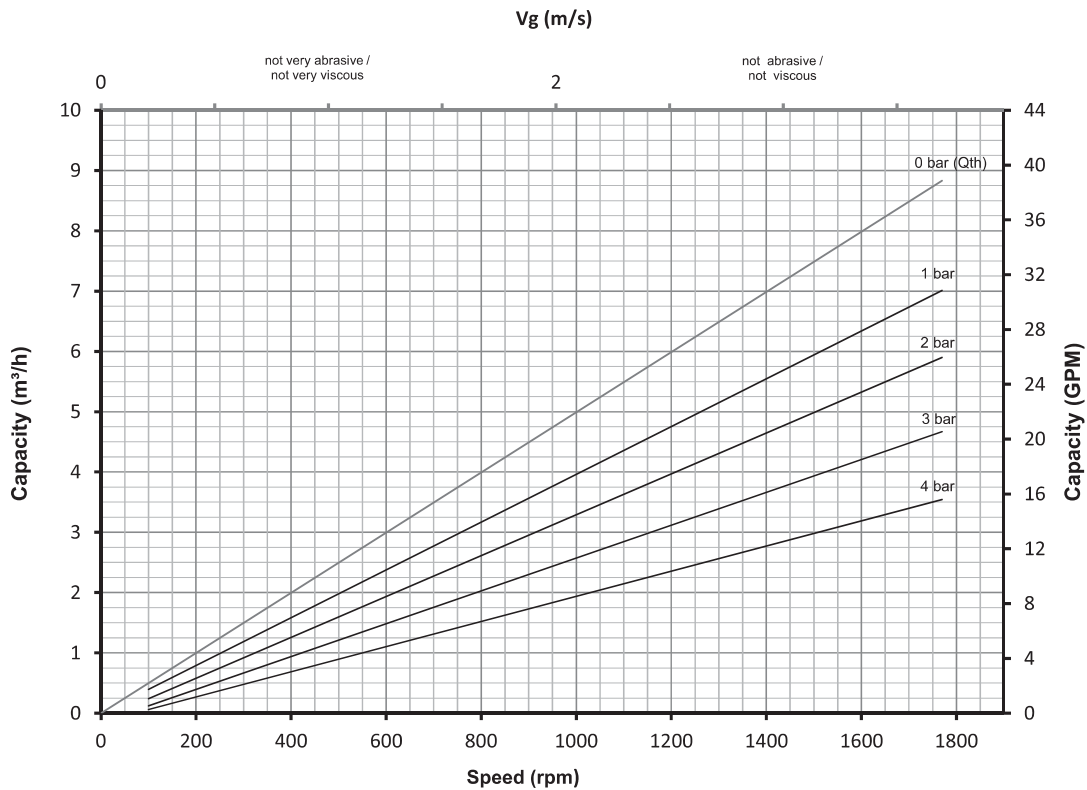
MO-I 100

Data Based on clean Water 20° C / 65° F

RANGE

WOBBLE PUMPS

Maximum Pressure based on Abrasivity			
No	Low	Medium	High
4	2	/	/



Starting Torque = 7,5 Nm \ 66,38 lbs*in

Performance tolerance ±10%

DIMENSIONI NON IMPEGNATIVE - APPROXIMATE DIMENSIONS - DIMENSIONS APPROXIMATIVES

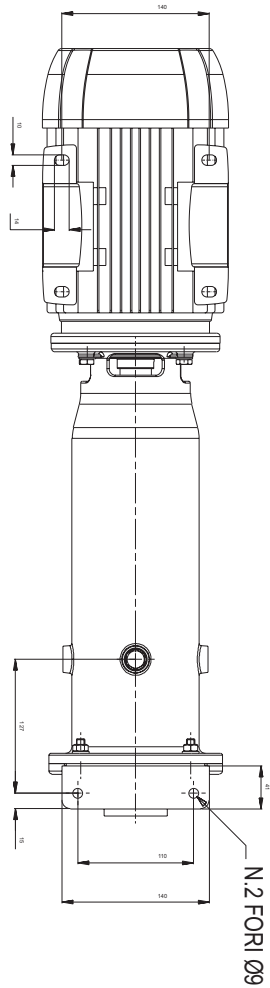
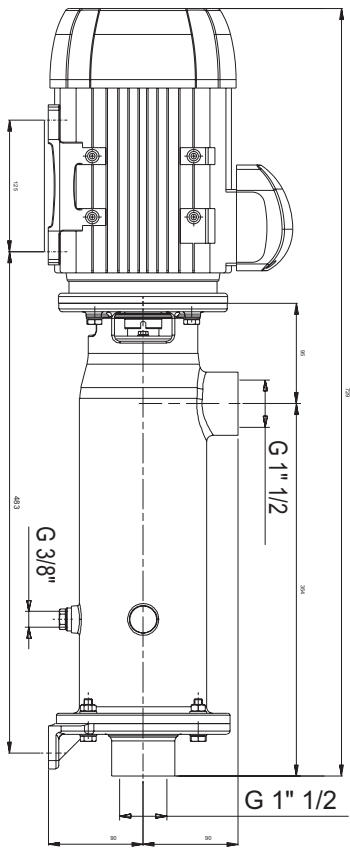
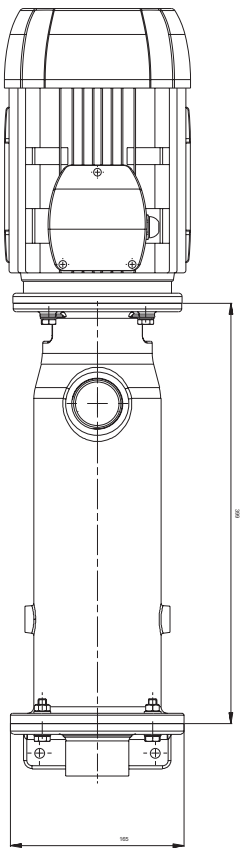
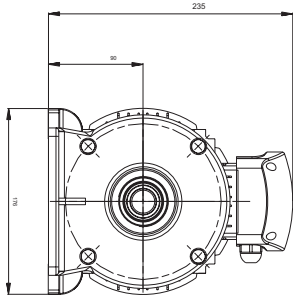
MO-I 100 A.C. MOTOR

kW 1,5 - 1400 r.p.m. 230V 50Hz - 230/400V 50 HZ
kW 1,1 - 900 r.p.m. 230V 50Hz - 230/400V 50 HZ

peso: 28 Kg
weight:

LIVERANI
FLUID TRANSFER TECHNOLOGY

Via De' Brozzi, 94 - 48022 Lugo (Ra) ITALY
Tel. ++39 0545 22379 - Fax ++39 0545 30350
E-mail: liverani@liverani.com
www.liverani.com



MO-I 100

MO-I 100 dim.

Date 23/10/2009