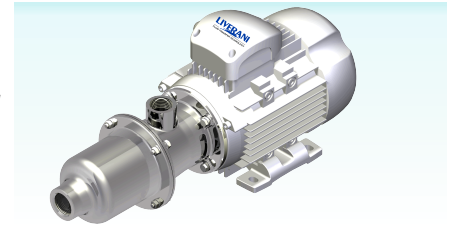


Serie MO-I: Pompe monovite con corpo inox utilizzate per il trasferimento di liquidi alimentari e chimici, liquidi densi anche con corpi in sospensione, viscosi come olio di oliva e in generale tutti gli olii alimentari.

MO-I Type: Single screw pumps with stainless steel pump body for transfer of food and chemical fluids, heavy liquids also with solid parts in suspension, viscous like olive oil and in general all food oils.



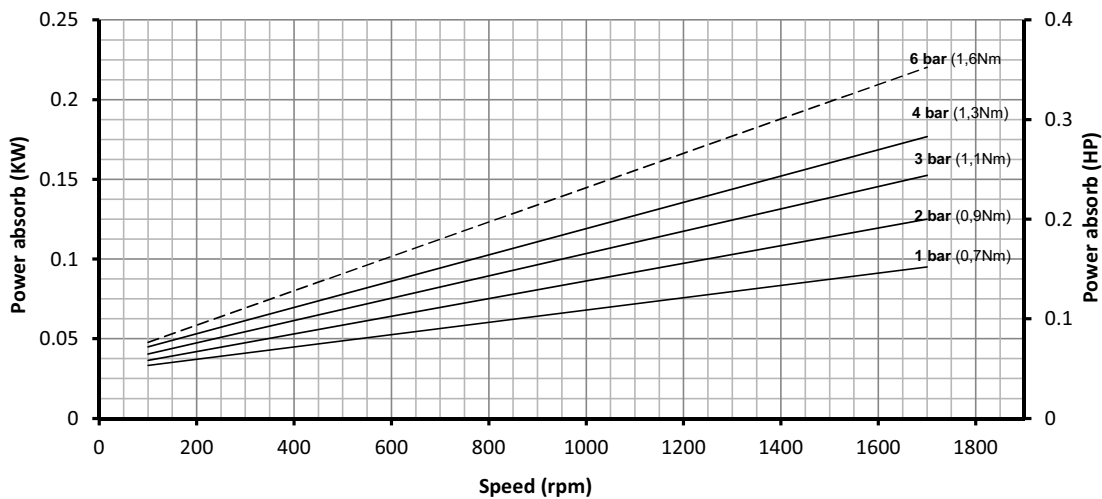
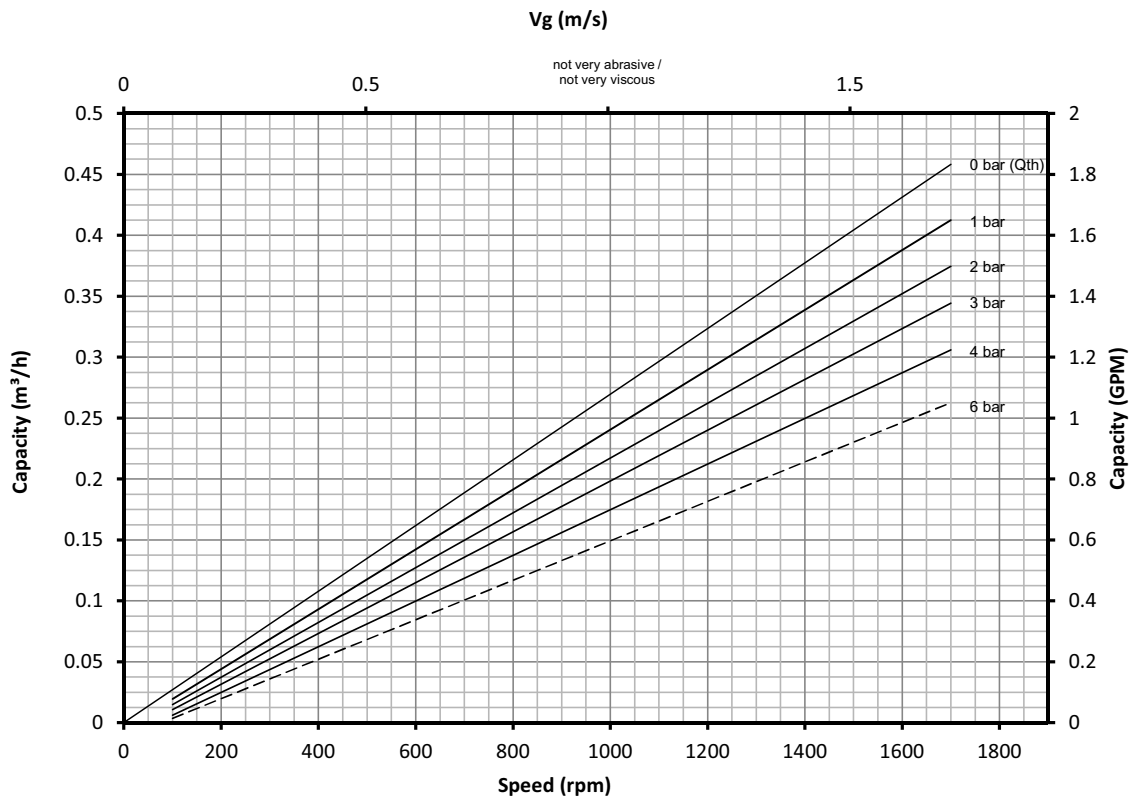
PERFORMANCE CURVE

Data Based on clean Water 20° C / 65° F

SIZE

MO-I 28

Maximum Pressure based on Abrasivity			
No	Low	Medium	High
4	2	/	/

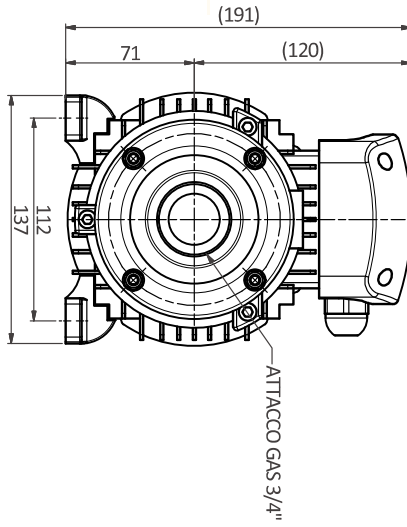
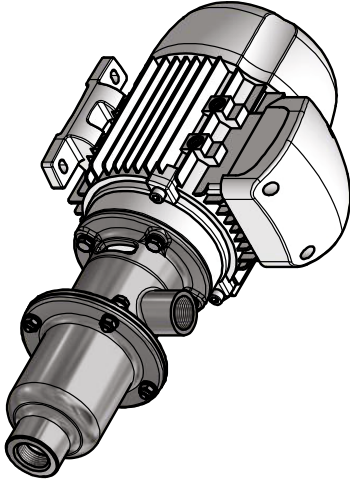


Starting Torque = Nm \ 0 lbs in

Performance tolerance ±10%

POTENZE MOTORI - POWER MOTORS

TYPE	4 poli / pole 1400 RPM	6 poli / pole 900 RPM	8 poli / pole 700 RPM
MO-I 28	0,25 Kw	0,18 Kw	-



MO-I 28

MO-I 28 dim.

Date 14/05/2012

