

Serie MO-I: Pompe monovite con corpo inox utilizzate per il trasferimento di liquidi alimentari e chimici, liquidi densi anche con corpi in sospensione, viscosi come olio di oliva e in generale tutti gli olii alimentari.

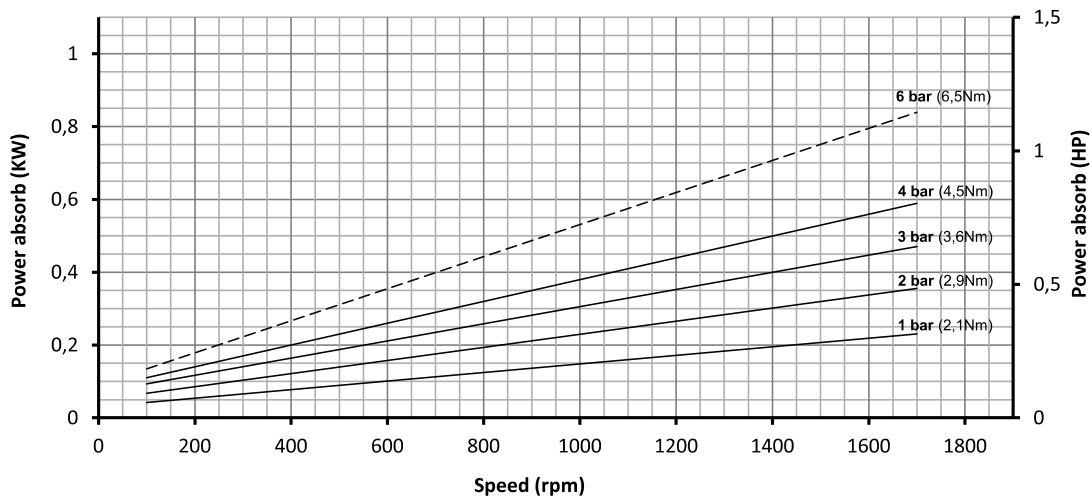
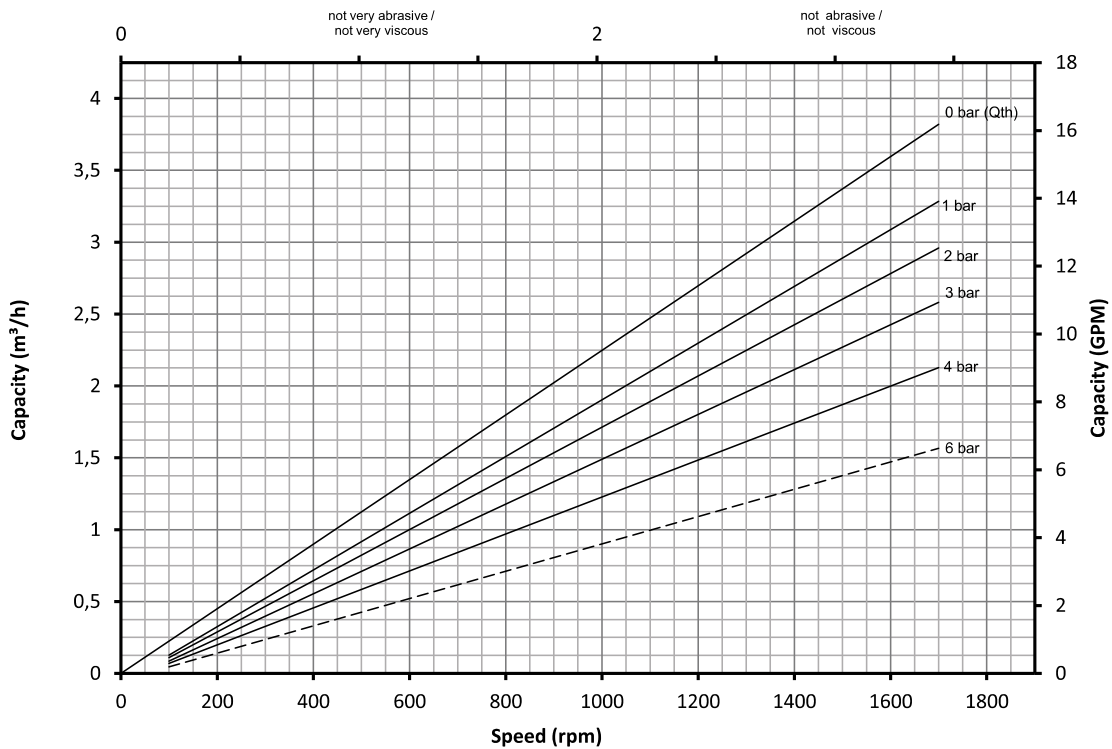
MO-I Type: Single screw pumps with stainless steel pump body for transfer of food and chemical fluids, heavy liquids also with solid parts in suspension, viscous like olive oil and in general all food oils.



MO-I 44

Vg (m/s)

Maximum Pressure based on Abrasivity			
No	Low	Medium	High
4	2	/	/



Starting Torque = Nm \ 0 lbs*in

Performance tolerance ±10%

Curve valide considerando acqua a 20° e viscosità 1mm/s2
Curves are valid far airless water of 20°C viscosite 1mm/s2

DIMENSIONI NON IMPEGNATIVE - APPROXIMATE DIMENSIONS - DIMENSIONS APPROXIMATIVES

MO-I 44 DC MOTOR KW 0,55

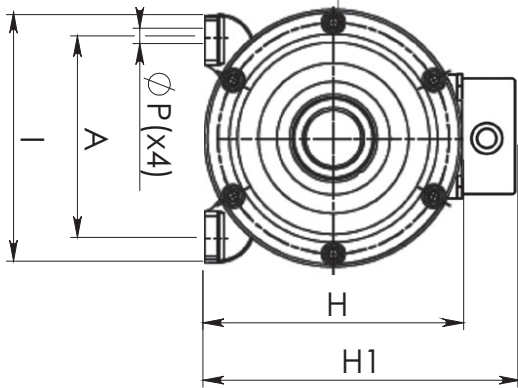
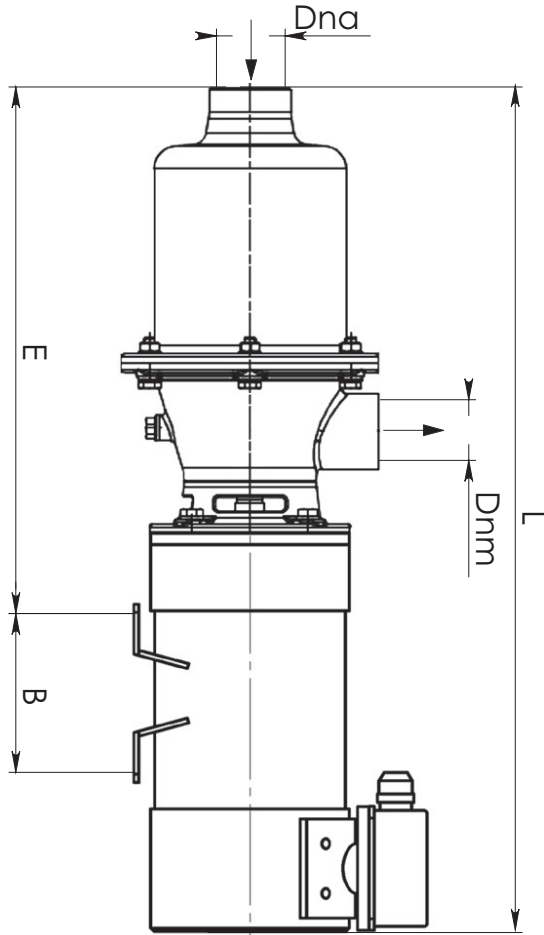
1400 r.p.m. 12 Volt DC
1400 r.p.m. 24 Volt DC

peso: 14 kg
weight: 14 kg

LIVERANI
FLUID TRANSFER TECHNOLOGY

Via De' Brozzi, 94 - 48022 Lugo (Ra) ITALY
Tel. ++39 0545 22379 - Fax ++39 0545 30350
E-mail: liverani@liverani.com
www.liverani.com

MO-I 44



Modello Type	Corrente Current	Dna (Gas - BSP)	Dnm (Gas - BSP)	A	B	E	H	H1	I	L	ØP	Peso Weight (kg)
MO-I 44	CC - DC	1"	1"	125	100	285	155	185	160	500	8	14

Misure in millimetri (mm) / Measures in millimeter (mm)

Date 13/03/2018

MO-I 44 dim.

